

Vertio Wall System Planning Guide

K I N G



Product Journey

1 Understand:

View the product in store and/or look over the product brochure.

w: kingliving.com.au/vertio-product-card

Supporting Document:
Product Brochure



2 Suitability:

You are at this step! Go through this planning guide to assess the spatial and structural requirements for installing Vertio in your space.

w: kingliving.com.au/vertio-planning-card

Supporting Document:
Planning Guide

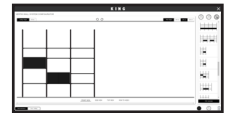


3 Customise:

Visit the online configurator to design your layout or select from one of our suggested configurations.

w: kingliving.com.au/build-your-vertio

Supporting Resource:
Online Configurator

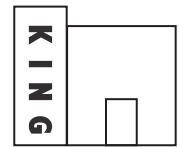


4 Order:

Visit your nearest King Showroom or order online.

w: kingliving.com.au/showrooms

Supporting Resource:
King Showroom Staff



5 Delivery:

Once your order is placed your Vertio Wall System will be manufactured then delivered to your specific address. The delivery time will be advised on ordering. If the delivery time changes you will be contacted by one of our despatch personnel.

Supporting Resource:
King Despatch



6 Installation:

Follow the installation guide to assemble and install Vertio yourself. If you'd prefer to outsource your installation King has partnered with WeDo to offer pre-purchase checks and a premium installation service.

w: kingliving.com.au/vertio-installation-guide

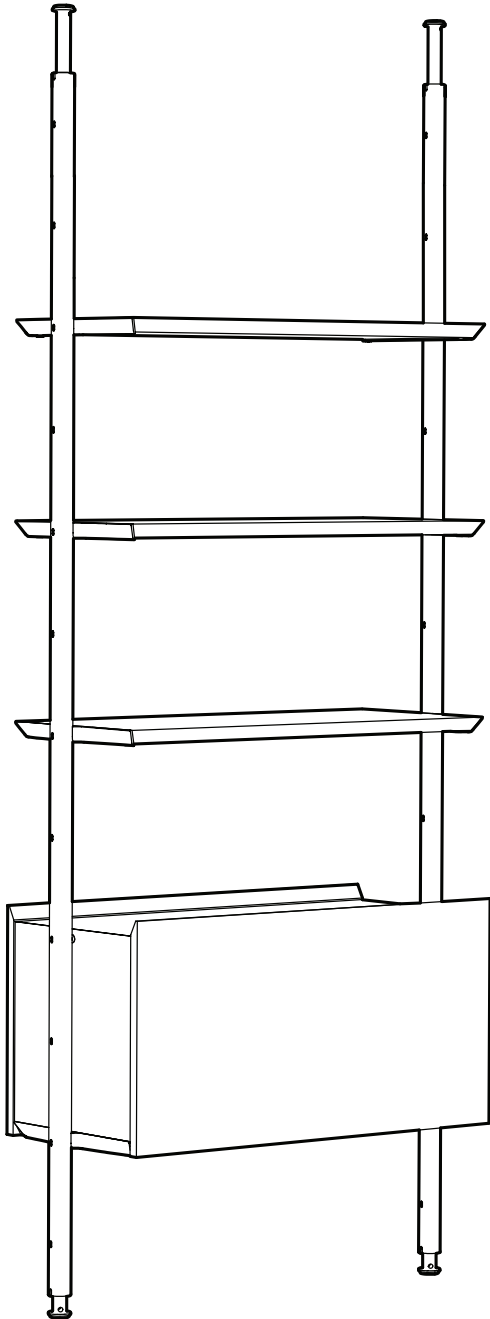
Supporting Document:
Installation Guide



Mounting Methods

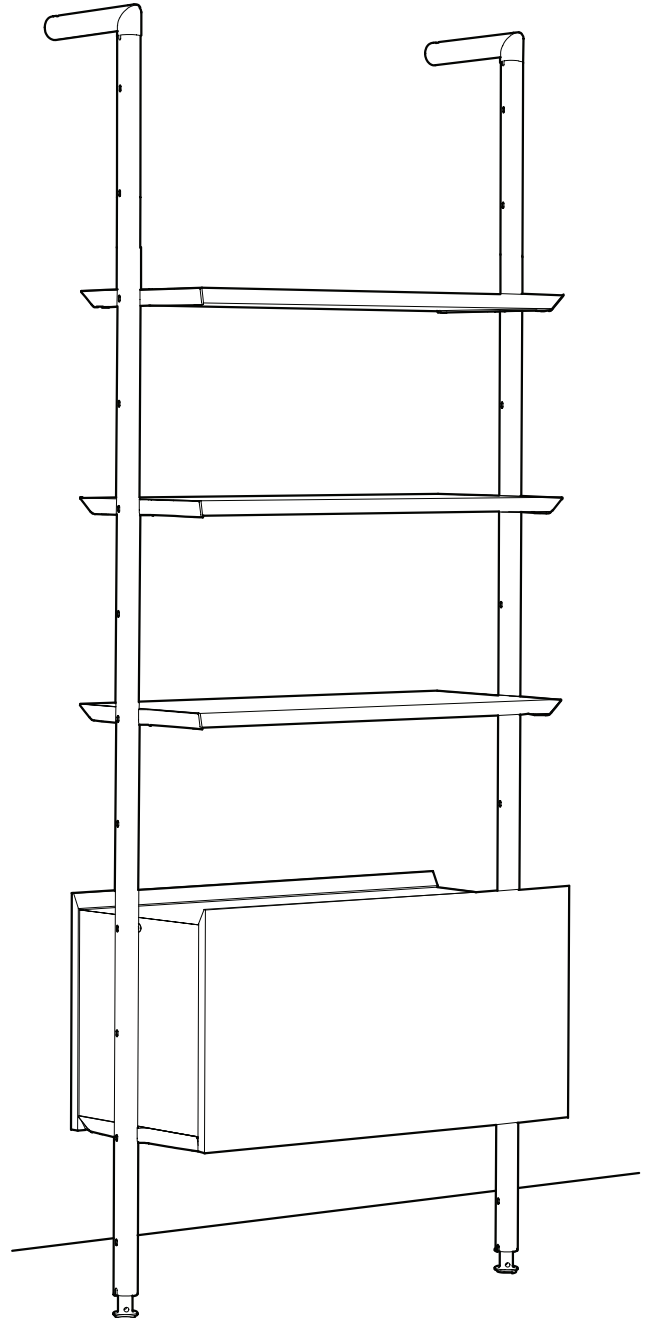
Vertio Wall System has two mounting options. Both mounting methods have specific structural requirements to consider.

Floor to Ceiling Mounted (via compression)



The floor to ceiling mount uses a jack in the top and bottom of the vertical poles to mount the system by compression force. This mounting method allows the system to be placed either against the wall or in the middle of the room as a divider between two spaces.

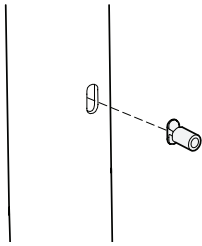
Wall Mounted



The wall mount sits elegantly off the wall. Each vertical pole is fixed to the wall using a mitred pole and bracket. The weight of the system rests on the jack at the base of each vertical pole.

System Component Glossary

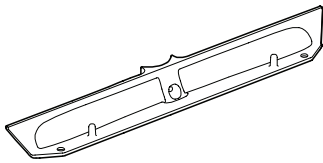
Toggle



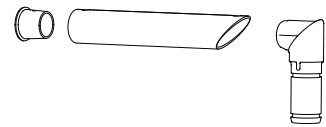
Jack



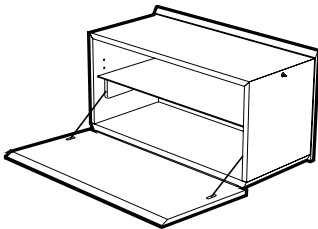
Shelf bracket



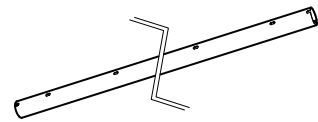
Wall mount brackets & pole wall mount 240



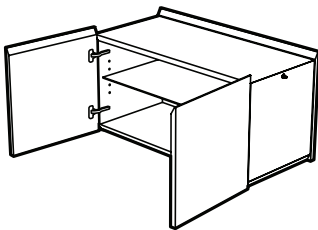
Fold-down cabinet 800



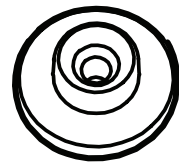
Pole (2160, 2340, 2520, 2700)



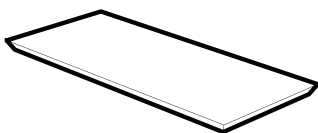
Twin-door cabinet 800



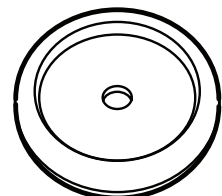
Small jack cap



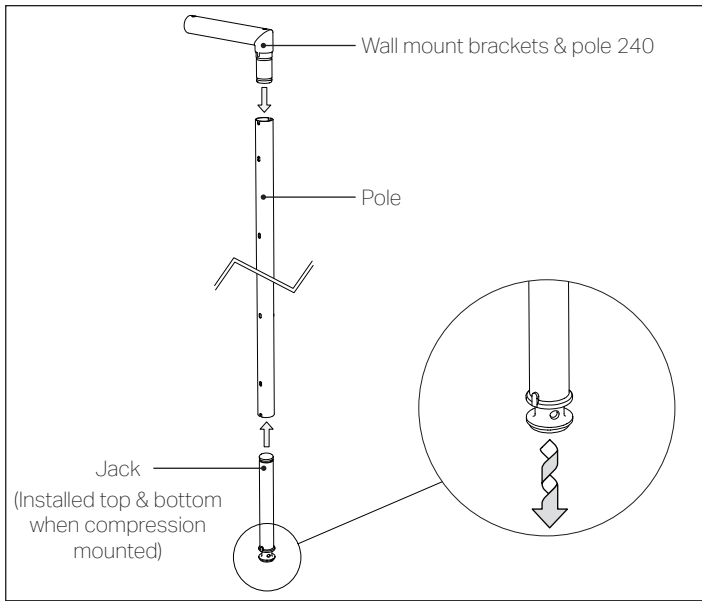
Shelf 800



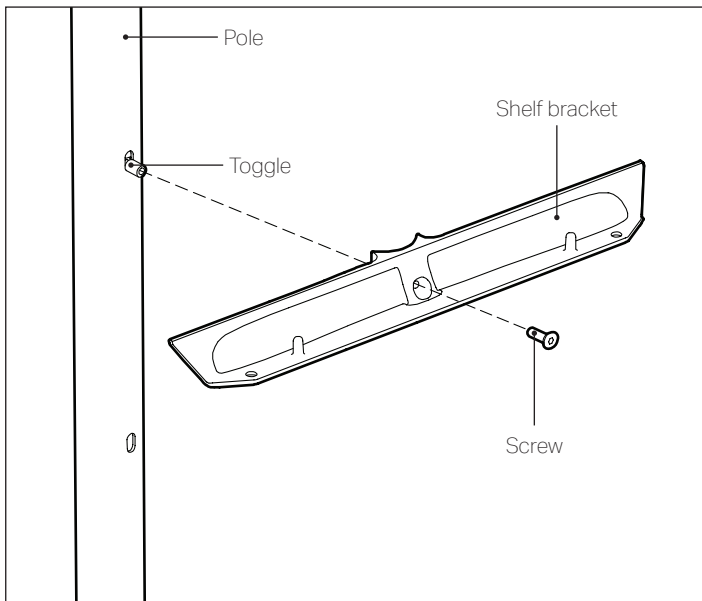
Large jack cap



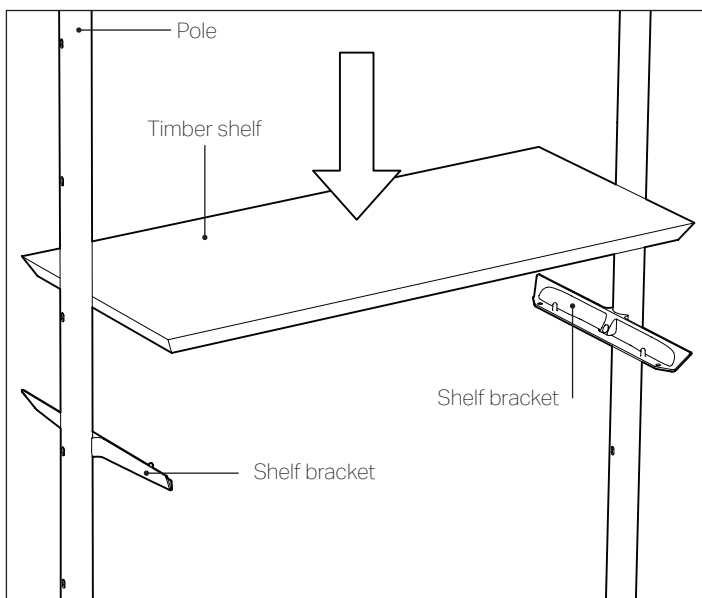
How Does the System Work?



The Vertio Wall System is built from a series of upright poles that are either compression mounted between the floor and ceiling or wall mounted. To allow for variations in floor height, a jack is installed in the top and bottom of the pole that allows extension from 0-193mm.



Oblong shaped holes are spaced at 180mm intervals along the length of each pole. A toggle is inserted and turned 90 degrees to enable the shelf bracket to be installed onto the pole using only one screw.



Timber components are supported by two shelf brackets and secured by four screws. Integrated pins on each bracket ensure easy placement.

Structural Requirements

Read through the guidelines below to ensure the Vertio Wall System is suitable for your space.

Floors

It is essential to assess the quality of your floor as this will determine the stability and weight carry capacity of your system.

Solid floors that experience no flexing, noise or movement are ideal.

A concrete slab supporting your floor structure is the best scenario.

No or low pile carpet is preferable.

Please note: Because the load of the wall system is focused on small areas at the base of the pole, timber floors or floors that make a noise or flex when you step on them may need to be reinforced.

Walls

Suitable wall plugs or anchors should be selected according to the wall substrate.

Solid walls made from masonry or concrete are ideal.

Most plasterboard walls are suitable. Ideally, align at least one wall mount location with a timber stud for the best attachment. When installing through plasterboard, a spring toggle is recommended.

Please note: If you are building a new home and are planning on a wall mount system, obtain the exact height of the wall mount attachment and install a structural support at this height to screw into on installation.

Ceilings

Strong structural support is required in all compression mounted installations. Please check and modify your ceiling before purchase.

A concrete ceiling or structural beam is ideal for compression mounted installation.

On a plasterboard ceiling, structural support is required at the exact pole location.

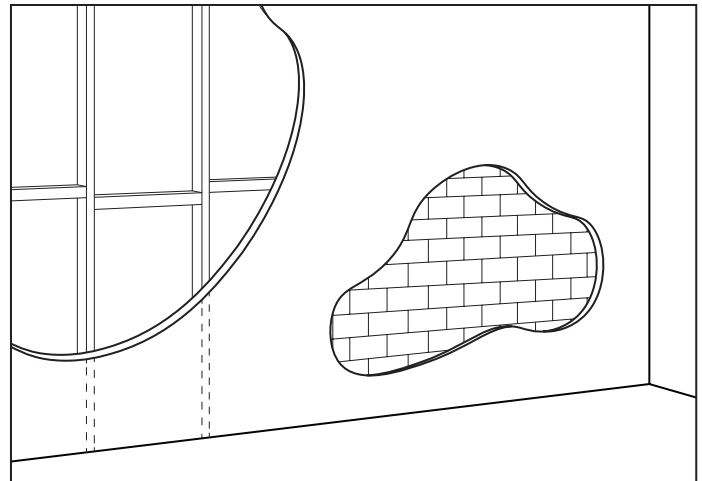
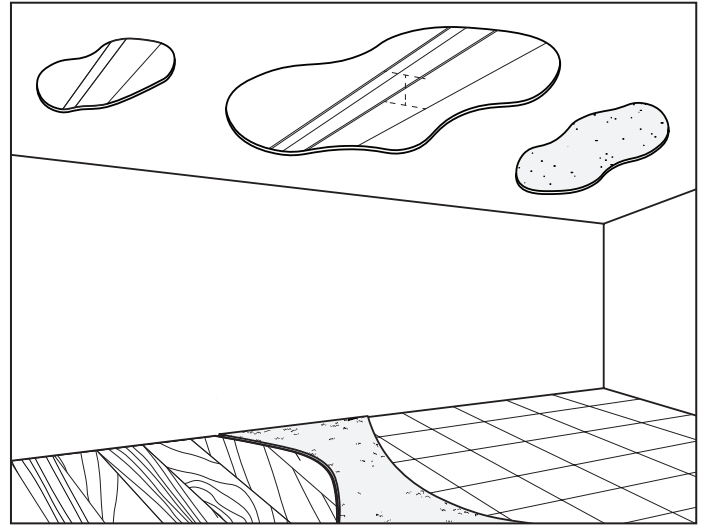
For plasterboard ceilings we recommend using the large jack cap to spread the force top over a larger area.

Weight Loading

The specific weight limit of your wall system will depend on the structural stability of the floor, wall and ceiling, as well as how many timber shelves and cabinets are used per bay.

We recommend placing heavier items on the lower shelves and cabinets, and lighter items towards the top.

We recommend no more than 40kg of uniformly distributed weight per 800mm shelf and cabinet. i.e. books placed across the entire shelf is preferable compared to a single heavy object in the middle of the shelf as this will decrease this weight limit.



The system is not designed to be used as a ladder and must not be used as a seat.



The fold-down cabinet door is not weight rated when open and should never be used as a desk.



For installation we cannot accept liability for unsuitable wall, floor or ceilings. Prior to purchase you must assess your floor, ceiling and/or wall for suitability of installing floor to ceiling via compression or wall mounted poles. If your planned position is not suitable the installation may need to stop, be repositioned or structurally reinforced.

Jack Cap Options

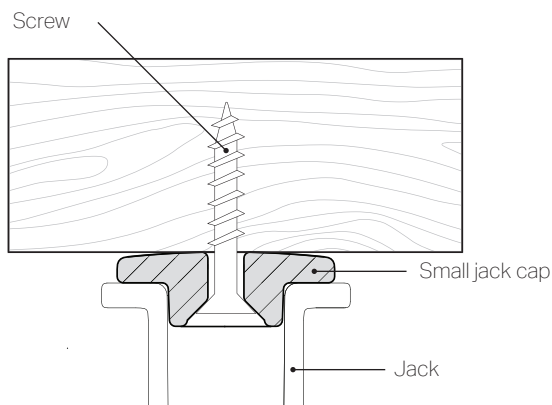
The jack cap holds the jack in place and protects your floors and ceilings.



Small jack cap

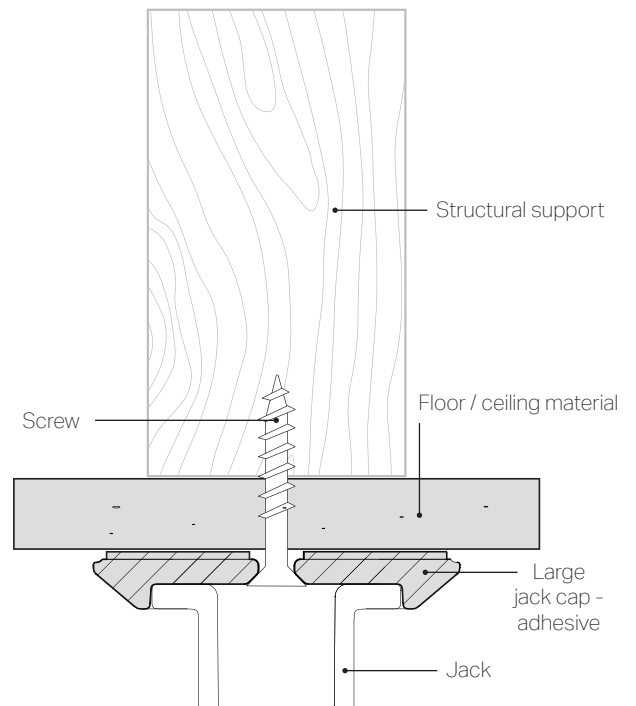
The most discreet option, this cap is installed on the floor or ceiling before the jack is extended onto the cap. The jack cap protects the floor and ceiling and also stops the jack from sliding out of position. To fasten to the surface a countersunk screw is installed through the centre of the cap into the floor or ceiling.

Jack cap section views



Large jack cap - adhesive

The large jack cap is held in place by 3M adhesive tape and is the best option when it is not possible to screw into the floor substrate. When used on the ceiling, a screw is recommended for safety. For softer surfaces such as plasterboard ceilings, the large jack cap increases the surface area spreading the force.



****IMPORTANT****

When used on the ceiling, King recommend using a screw for safety.

Pole Selector

Floor to Ceiling Mount
(via compression)

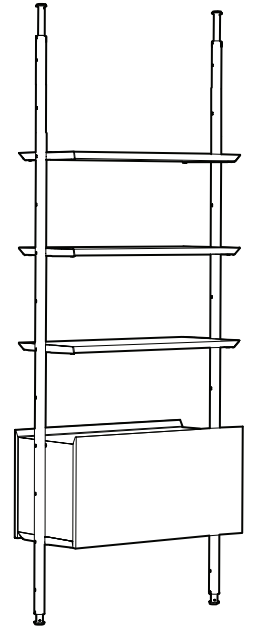
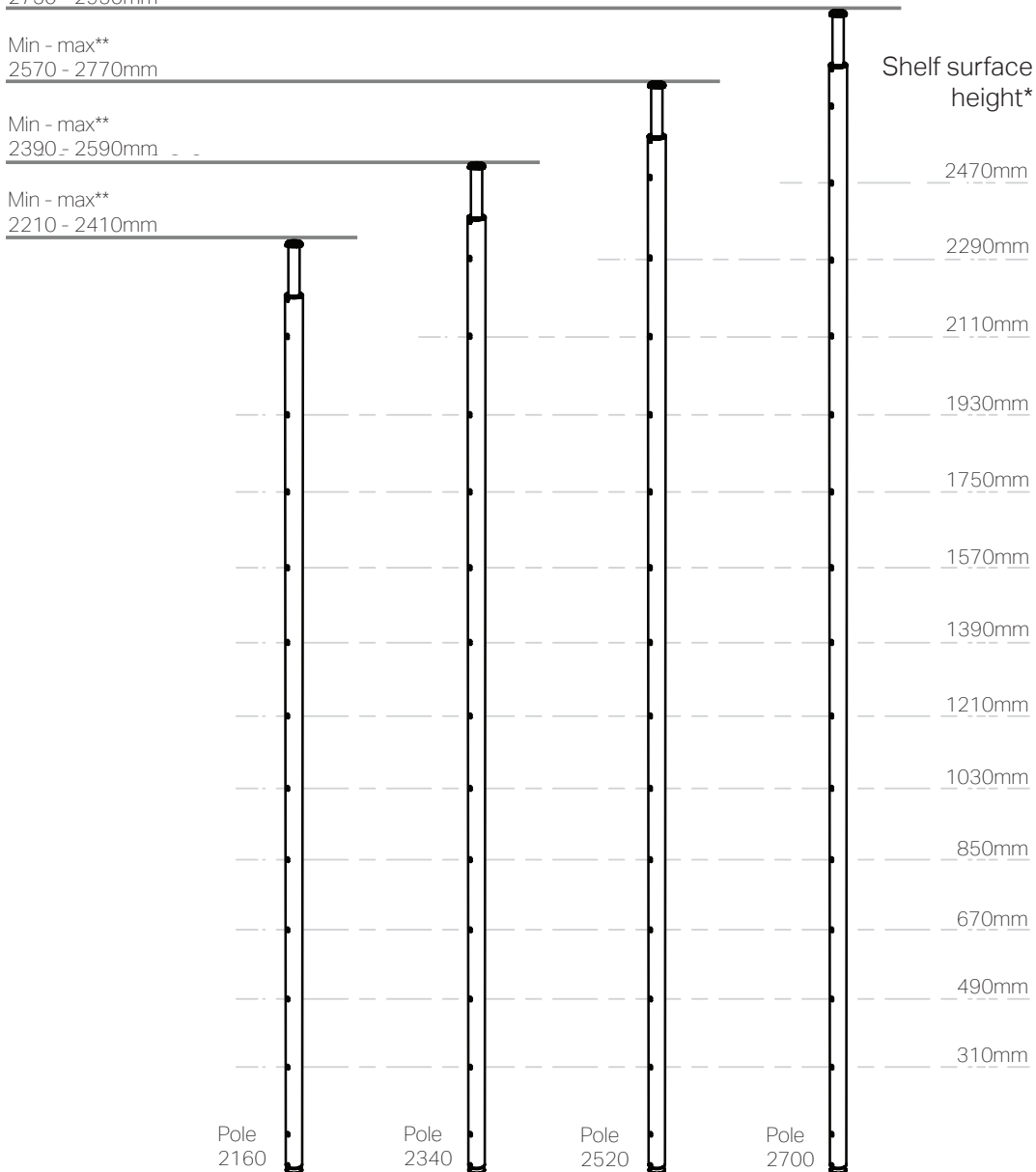
Ceiling height range:

Min - max**
2750 - 2950mm

Min - max**
2570 - 2770mm

Min - max**
2390 - 2590mm

Min - max**
2210 - 2410mm



Recommended ceiling height range:

- > Minimum: 2210mm
- > Maximum: 3000mm

Notes:

*The height will increase when the base jack is extended past 10mm.

** The minimum and maximum heights have been calculated with the bottom jack extended 10mm and the top jack extended to meet the ceiling. If the bottom jack is extended further, the maximum will increase. As such maximum ceiling heights possible with bottom jack extended are: Pole 2160: 2542mm, Pole 2340: 2722mm, Pole 2520: 2902mm, Pole 2700: 3082mm.

Pole Selector

Wall Mounted

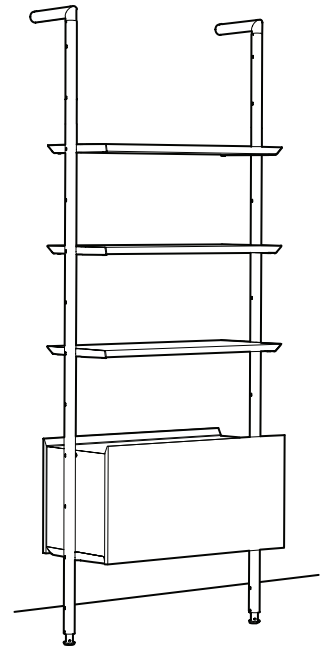
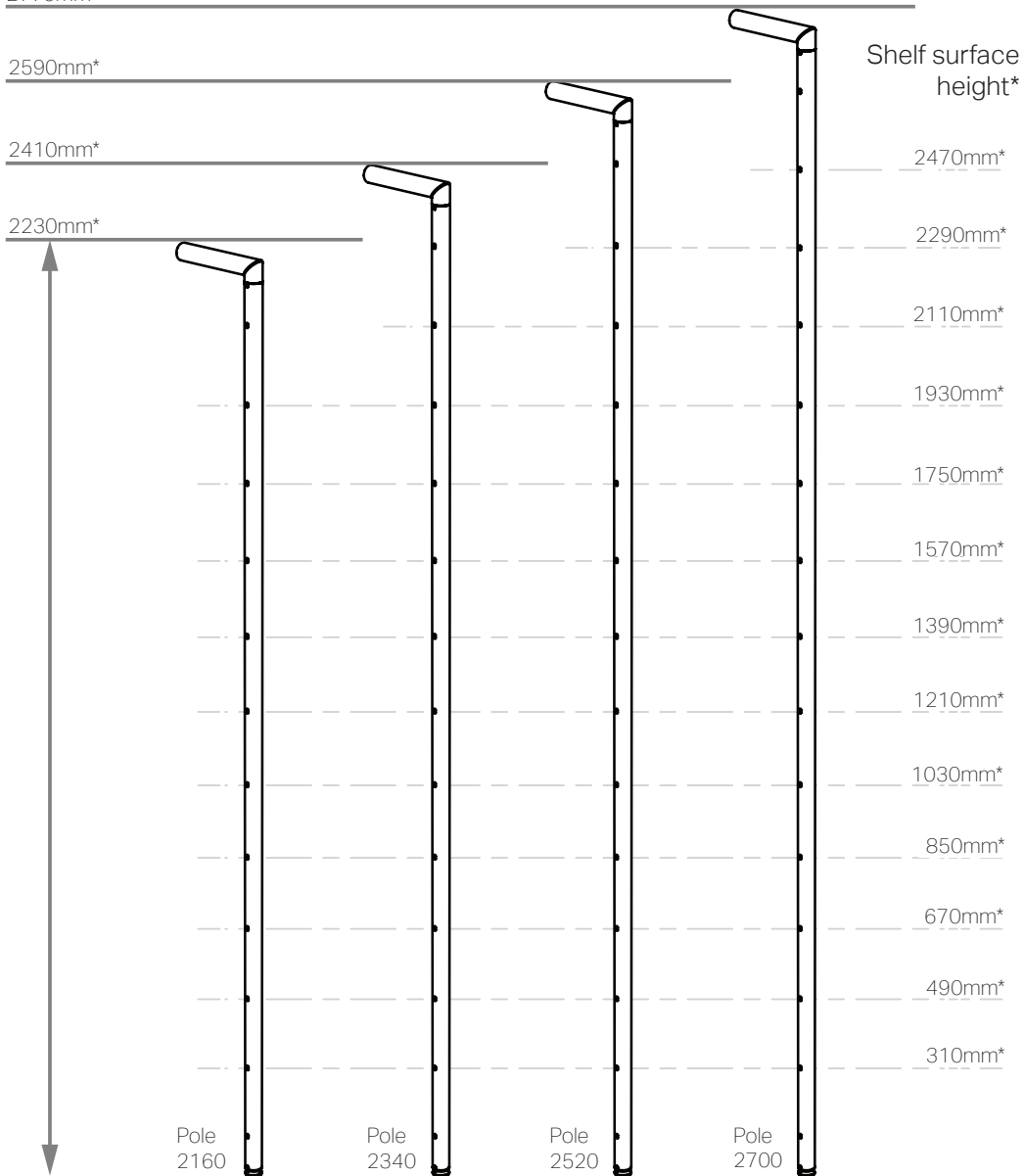
Height:

2770mm*

2590mm*

2410mm*

2230mm*

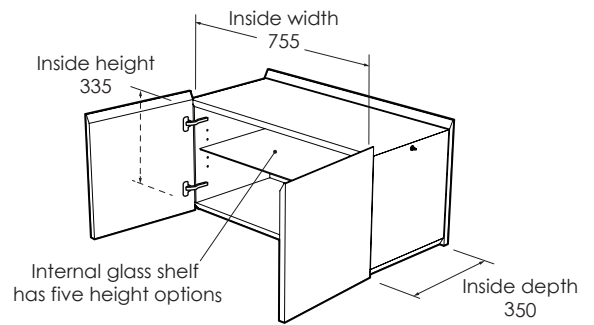
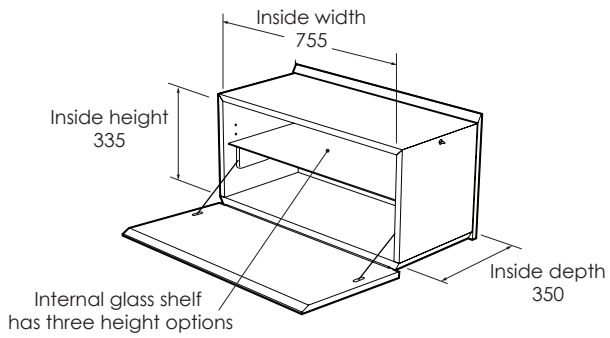
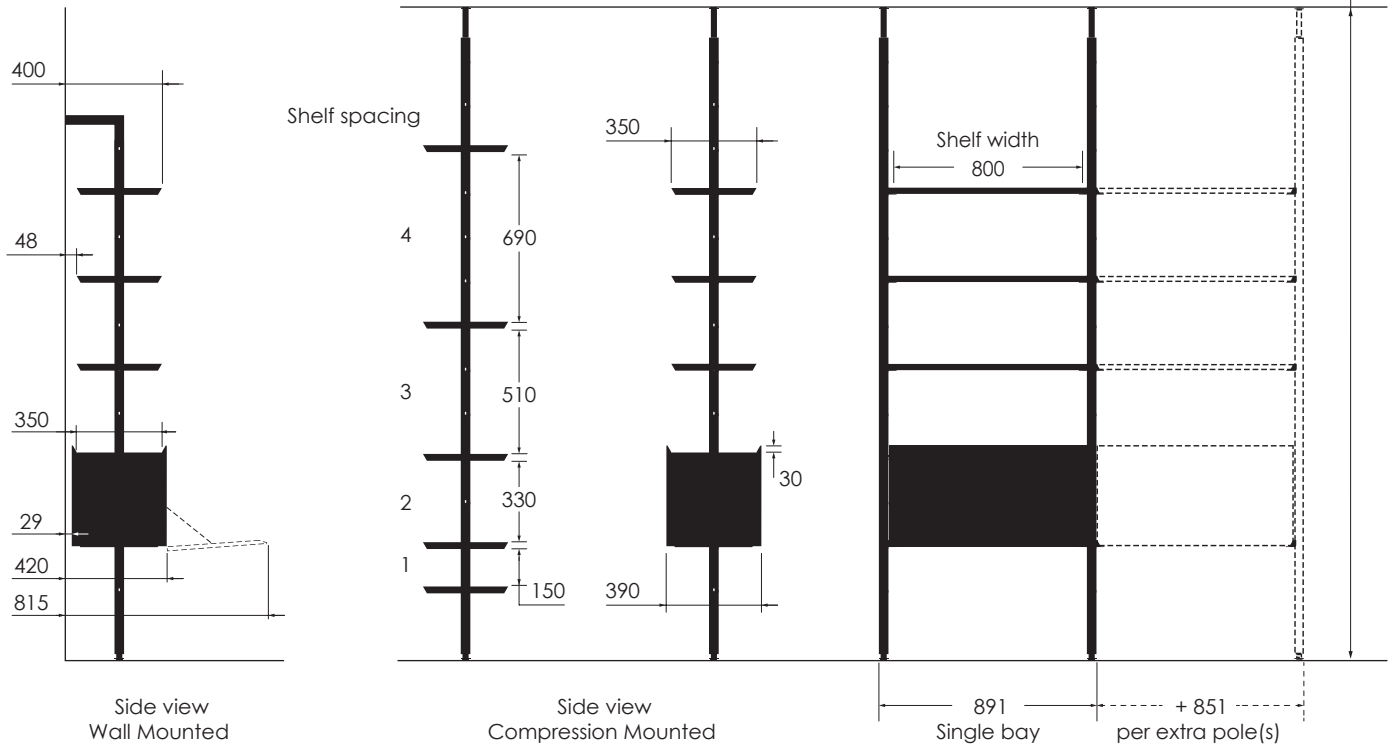


Notes:

*The height will increase when the base jack is extended past 10mm.

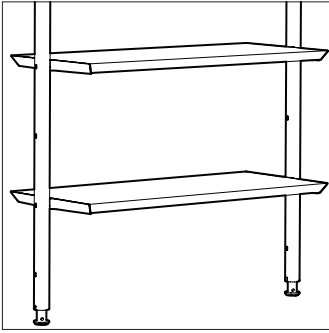
Dimensions

Floor to Ceiling Mounted
Minimum: 2210mm
Maximum: 3000mm



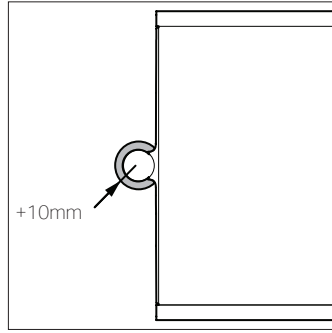
The fold-down cabinet door is not weight rated when open and should never be used as a desk.

Other Considerations



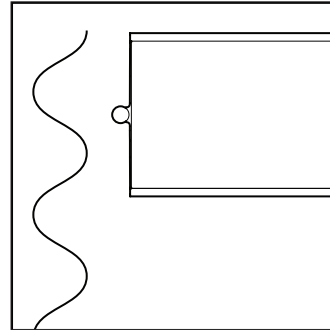
Minimum components

For structural stability mount at least two modular components in each bay.



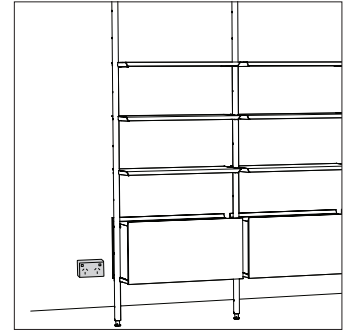
Large jack cap

The large jack cap requires an additional 10mm floor clearance at each end. Please take the width of skirting boards into account.



Space for curtains

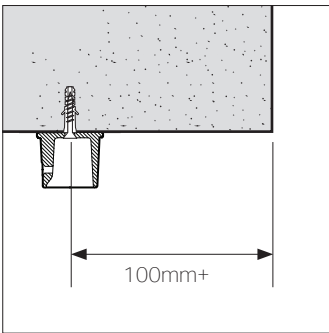
If your system will be placed near a window, ensure space has been allocated for your curtains.



Powerpoint locations

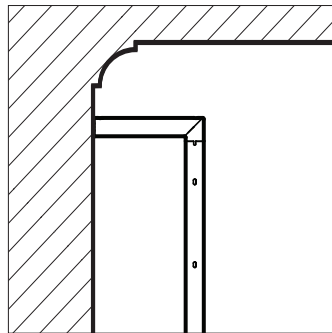
Consider the location of powerpoints when planning your system.

Wall Mount only



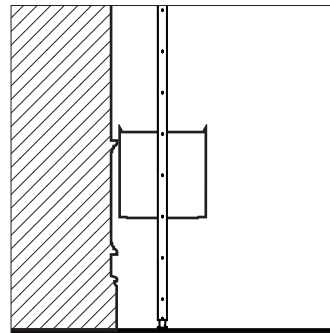
Masonry wall corners

When wall mounting the system close the corner of a masonry wall please start the mounting at least 100mm from the corner. This is too avoid chipping a section of the masonry off in drilling or installing the screw.



Cornice

When selecting a wall mounted pole, consider the distance between pole and ceiling, allowing clearance for your cornice.



Skirting board / paneling

For wall mounted systems consider timber panelling and skirting board height. Note that modular components sit 29mm off the wall. A floor to ceiling mounted system can be placed further off the wall.

Planning Checklist

Use the checklist below to build the Vertio Wall System that works for your space.

Measure width of space

One bay has two poles and is 891mm wide. Every subsequent bay is an extra 851mm. Please add an additional 20mm to length if using the large jack cap.

Measure floor to ceiling height

Measure floor to ceiling height.
> If more than 3m height, a wall mount system is the only option.
> If between 2210 - 3000 mm, a floor to ceiling compression mount or a wall mount maybe considered.

Understand floor, ceiling and wall structure

Refer to page 6, 'Structural Requirements' for full details.
> The strength of the floor will determine the stability and weight carry capacity of your system.
> Check your ceiling structure. For floor to ceiling mounted via compression systems, each ceiling and floor contact point must be structural and able to resist the pressure the compression mounted pole will exert.
> If your ceiling is raked (angled) a wall mount system should be used.
> If your ceiling does not have a structural point at the top of each pole, a wall mounted system should be used or additional structural supports installed.

Consider your space

Vertio will look best if it has breathing space at each end. If you are installing the system in a corner, allow a gap between the end pole and wall. Remember to allow for curtains, window dressings and powerpoints.

Check cornice height - wall mount only

If wall mounting, please ensure the maximum height is taken from under the cornice

Choose your timber colour

Select from the premium veneer colours.

Plan timber component layout

- Use the online configurator to select shelves and cabinets with either fold-down or twin-doors. For structural stability, remember to mount at least two modular components in each bay.
- When you've completed your design, print out the document and take it to your nearest Showroom or speak with an online sales consultant to place your order. Keep your printout handy for easy installation - the numbers noted on the side of the layout image correspond to the holes in each pole.

If you require assistance or have any further questions on the Vertio Wall System, please call King on 1300 135 464 or email us at enquiries@kingliving.com.au and include your best contact details.

Further Details

Streamline your installation (Australia only)

King has partnered with WeDo to offer pre-purchase checks and a premium installation service.

P: 1300 009 336

W: wedo.net.au/king/

General Sale & Showroom Enquiries

P: 1300 546 438

Email: enquiries@kingliving.com.au

Locate your nearest King Showroom

To talk to a representative at your closest showroom visit:

W: kingliving.com.au/showrooms

Document 1
Product Brochure



**Document 2
Planning Guide**



Document 3
Installation Guide

