

# ZazaO (Outdoor)

## Assembly Instructions

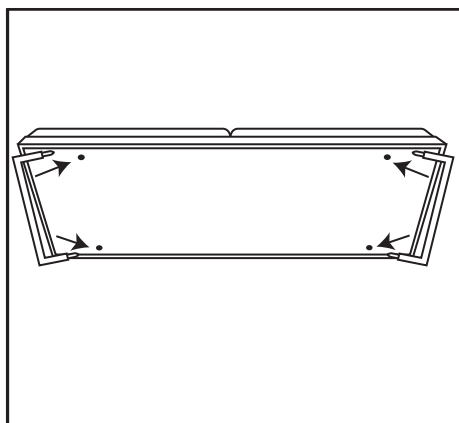


Two people are required for safe assembly.

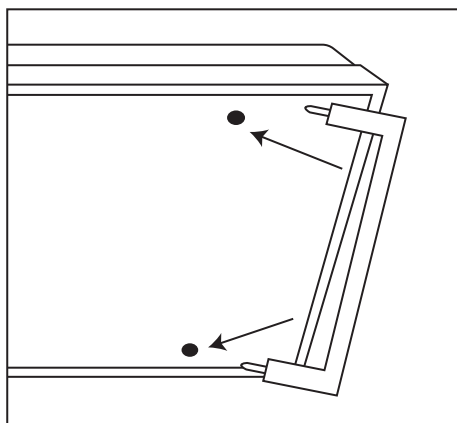
### Opening Boxes

DO NOT use a knife to open the King Living boxes as you may damage your furniture. Peel off the tape, then lift & separate the cardboard flaps to open.

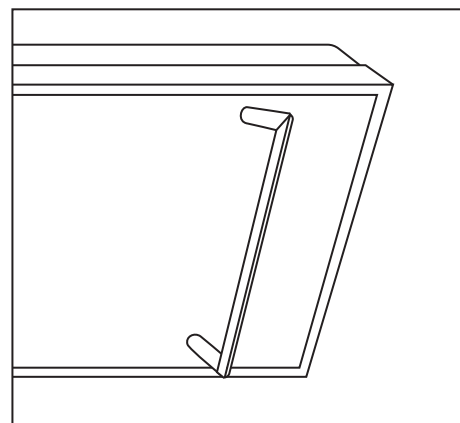
Assembly your furniture by following the steps below.



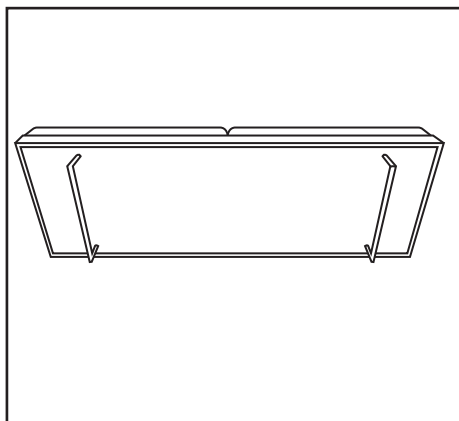
1.



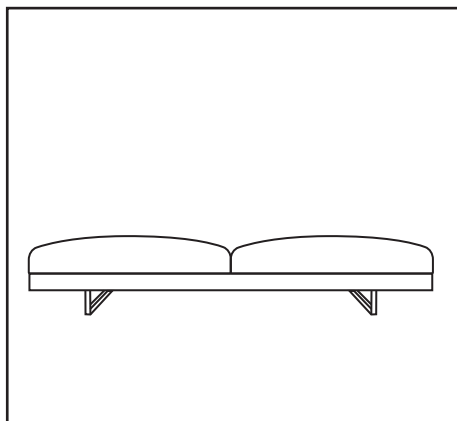
2.



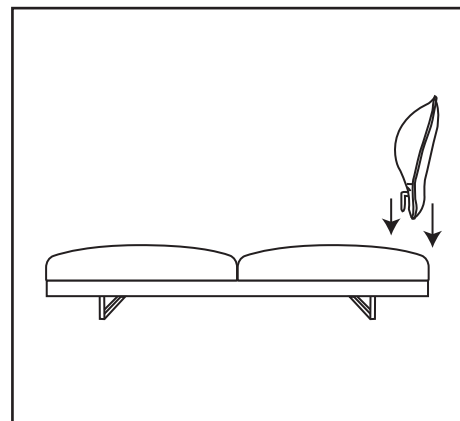
3.



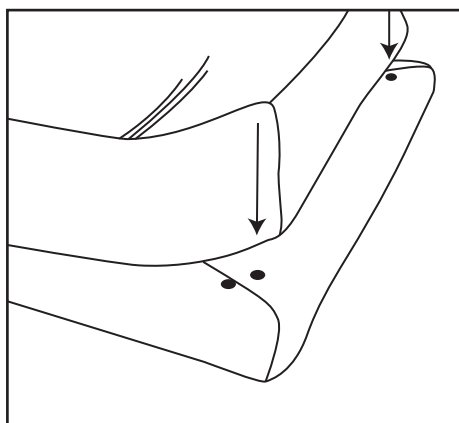
4.



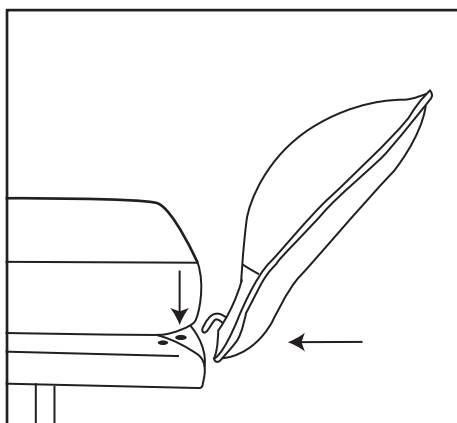
5.



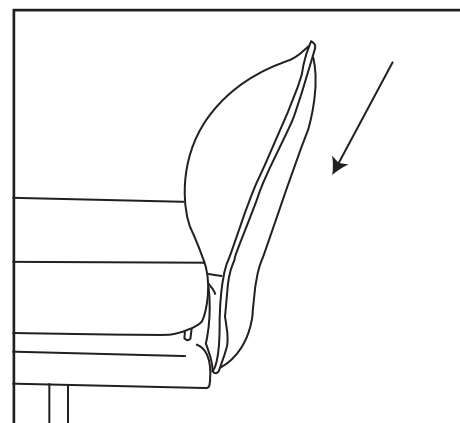
6.



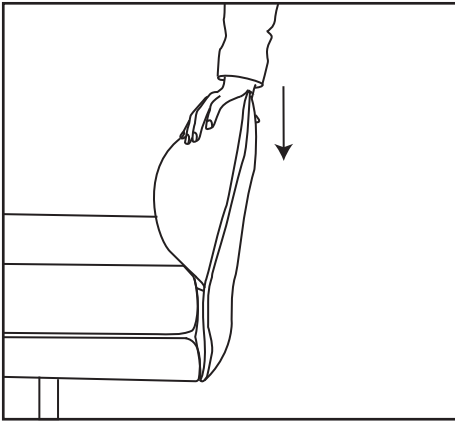
7.



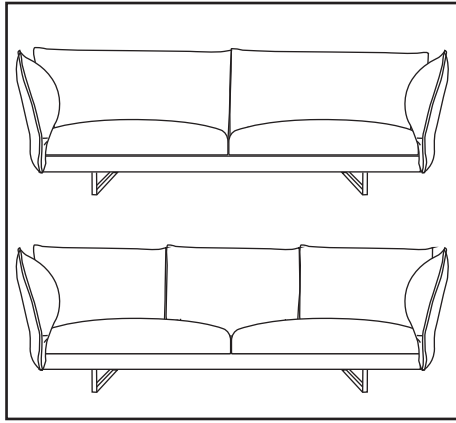
8.



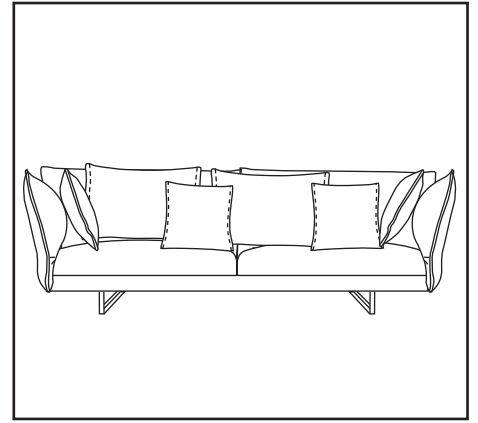
9.



10.

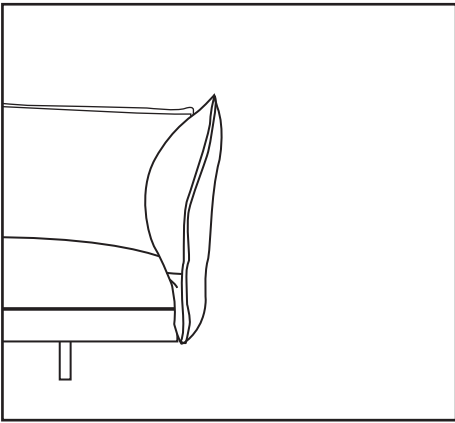


11.

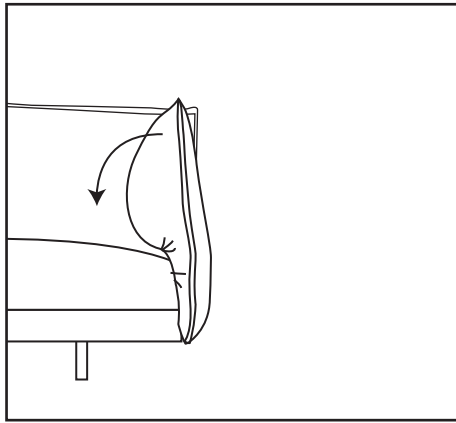


12.

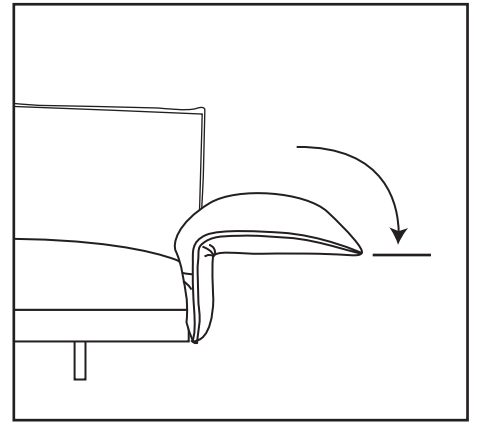
# Operating Instructions



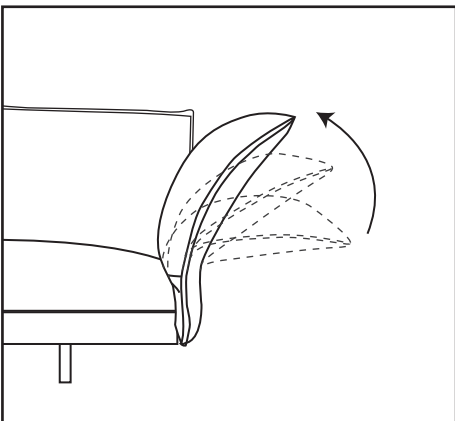
1.



2.



3.

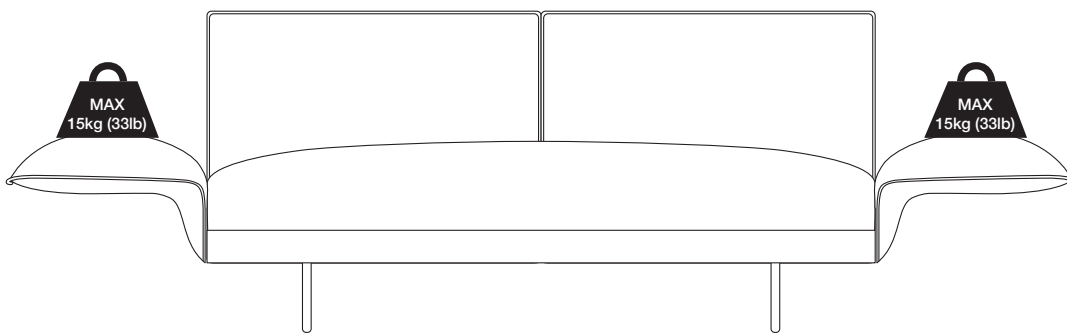


4.

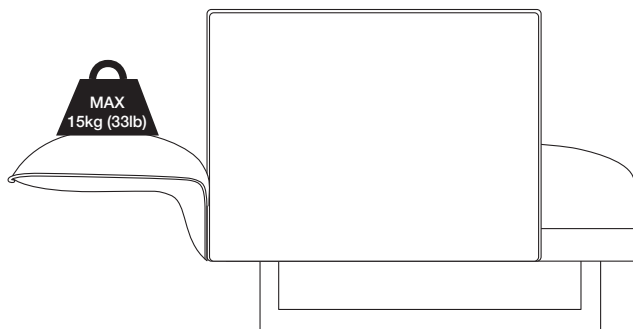
# Warning

Important:  
Read the below instructions carefully before  
assembling and using this product.

## Weight Restriction



Front View



Side View

**IMPORTANT:**  
Do NOT sit on Arms or Backs  
**MAXIMUM LOAD 15kg (33lb)**



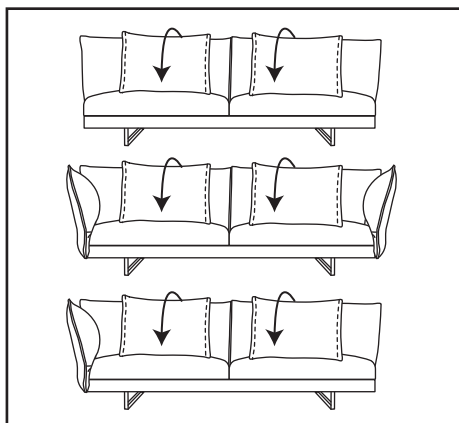
# WeatherGuard Instructions

## ZazaO (Outdoor)

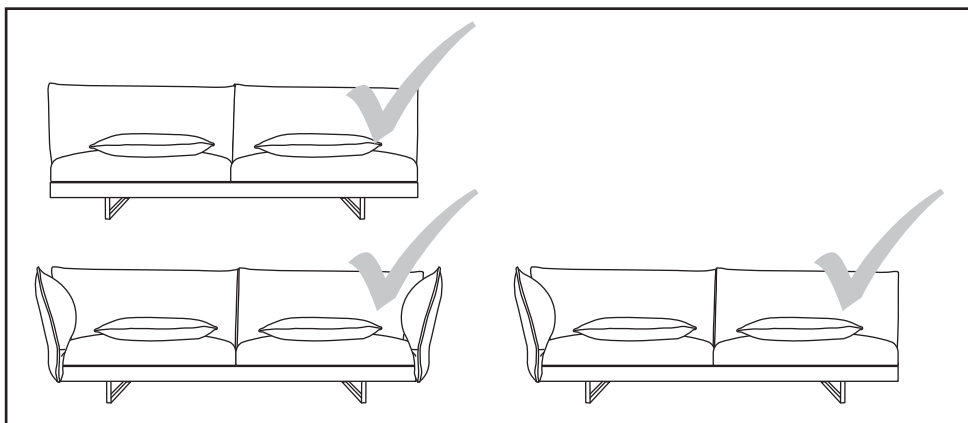
**KING**<sup>®</sup>  
L I V I N G

One person is sufficient for WeatherGuard assembly.

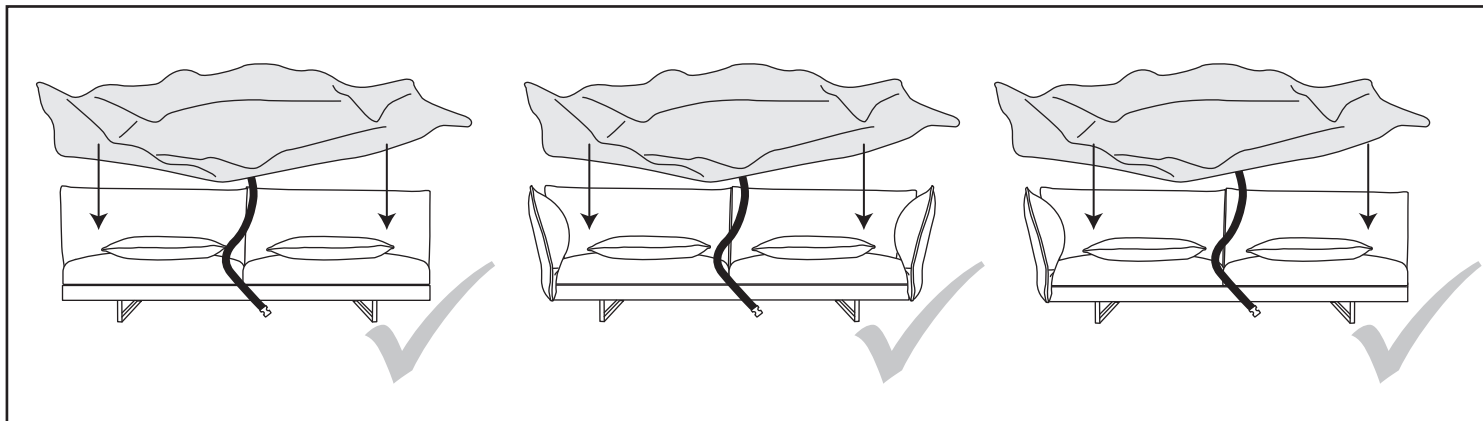
To cover your ZazaO with the WeatherGuard please follow steps below.



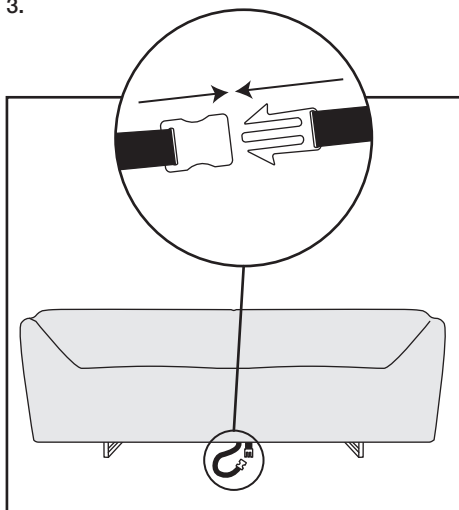
1.



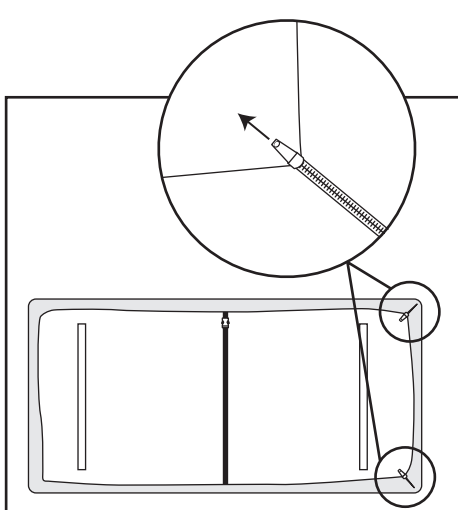
2.



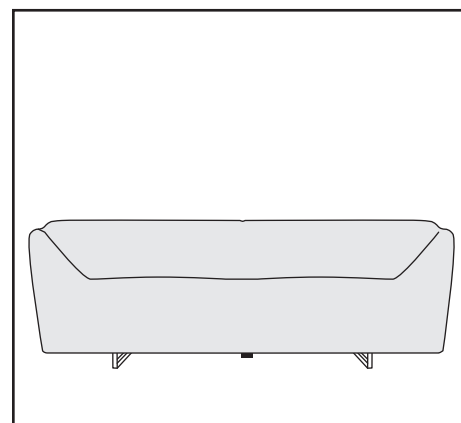
3.



4.



5.



6.