

## Strata II DLX

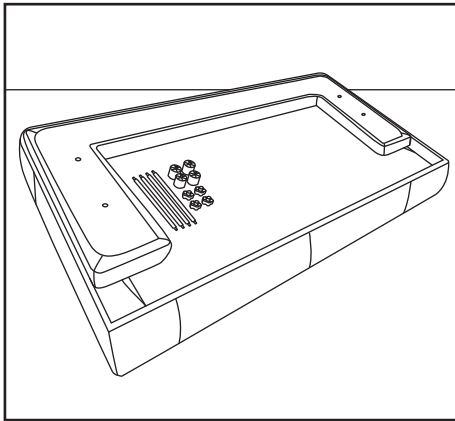
### Assembly

Two People Are Required For Safe Assembly.

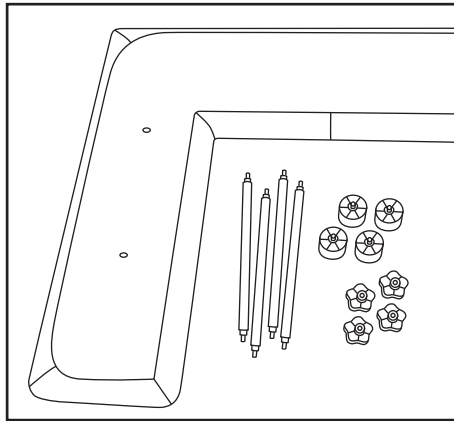
#### Opening Boxes:

DO NOT use a knife to open the King Living boxes as you may damage your furniture. Peel off the tape, then lift & separate the cardboard flaps to open.

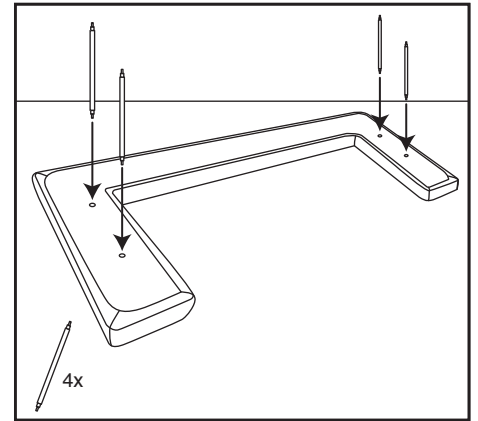
Assemble your furniture by following the instructions below.



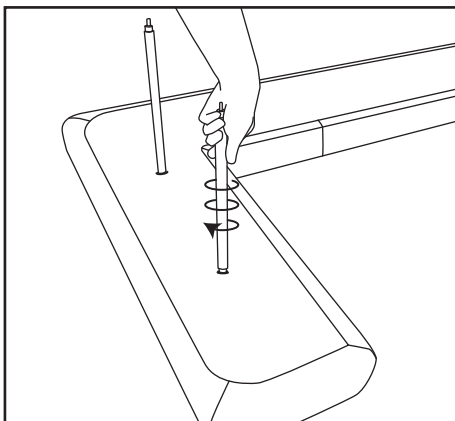
1.



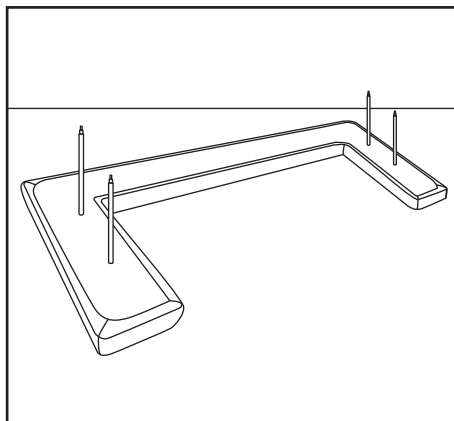
2.



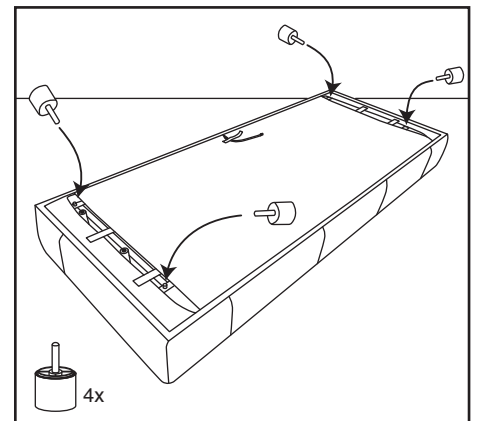
3.



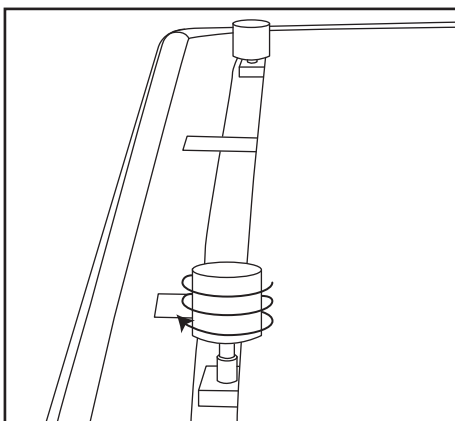
4.



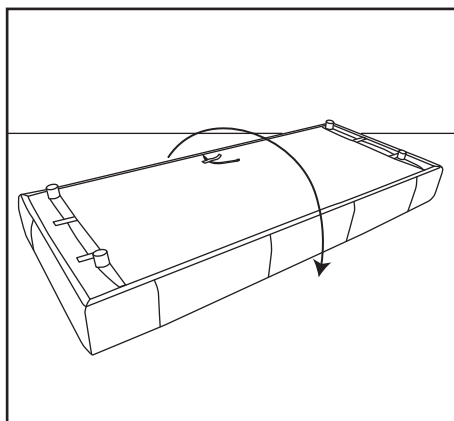
5.



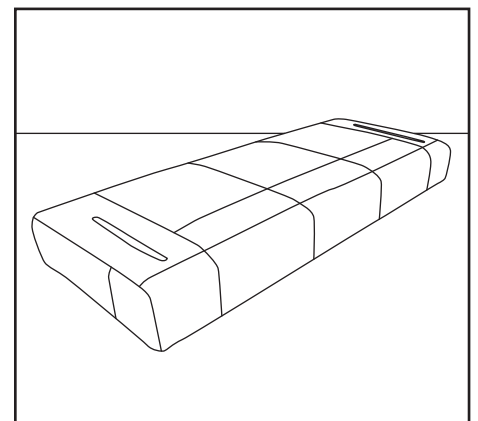
6.



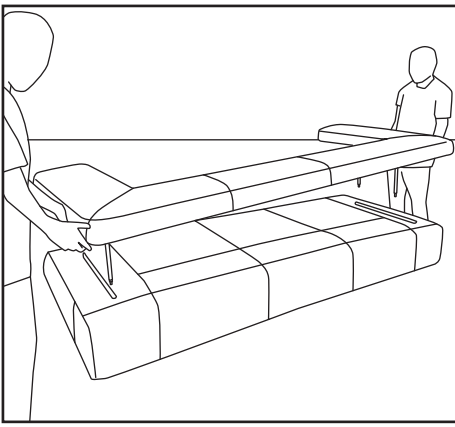
7.



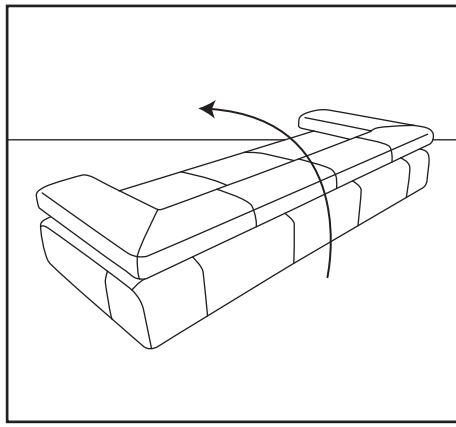
8.



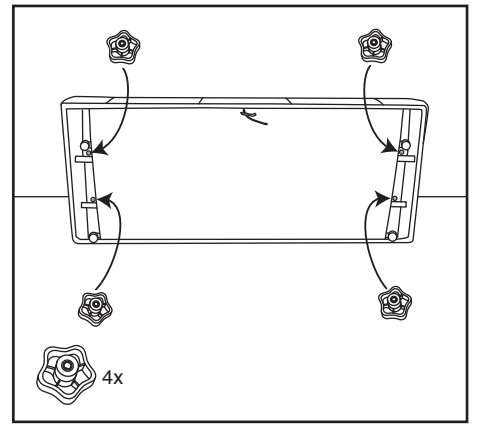
9.



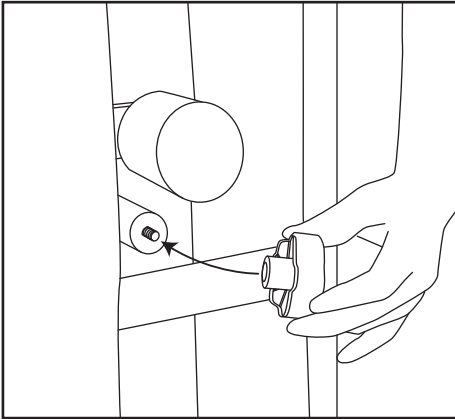
10.



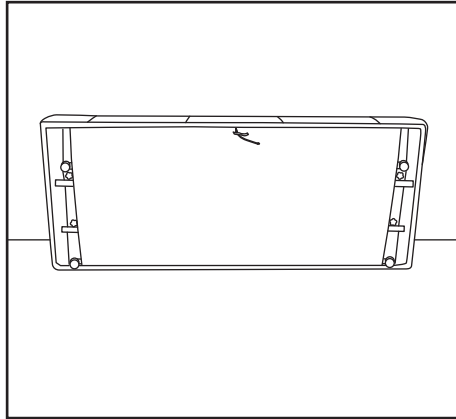
11.



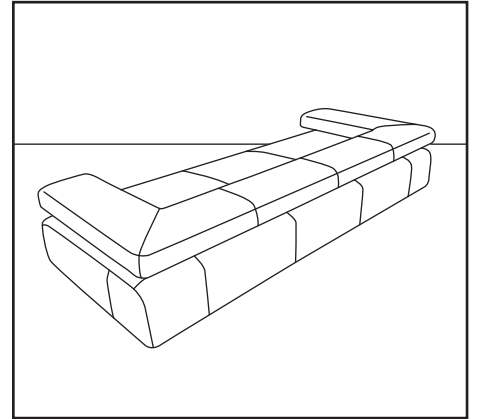
12.



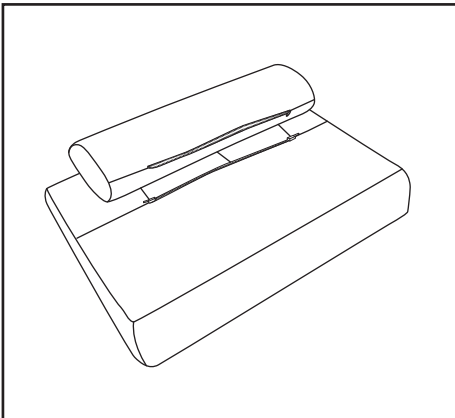
13.



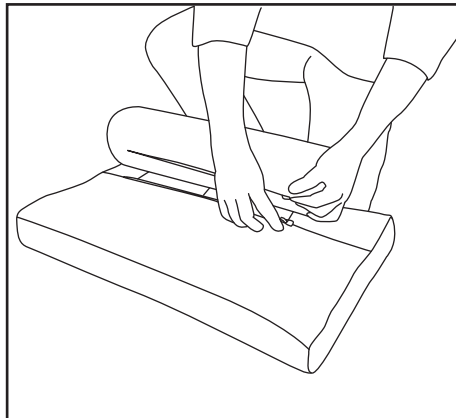
14.



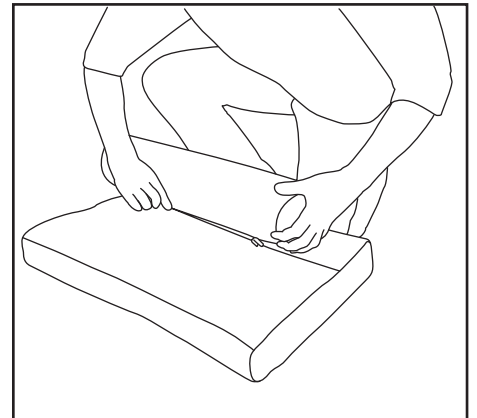
15.



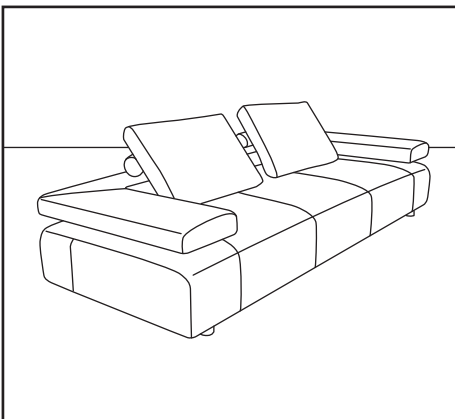
16.



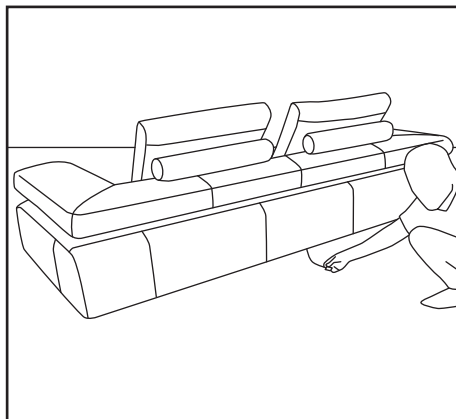
17.



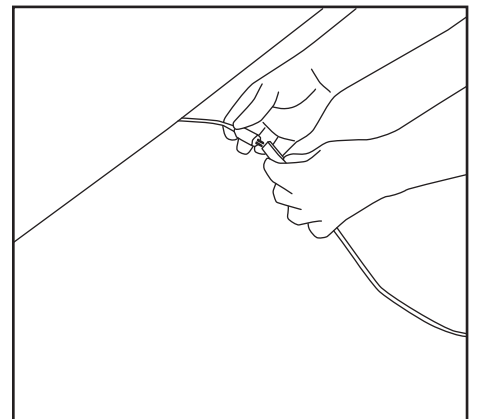
18.



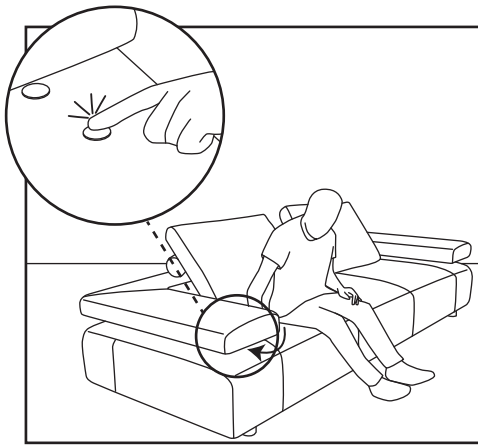
19.



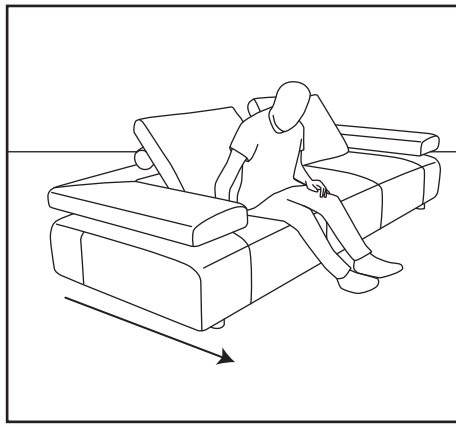
20.



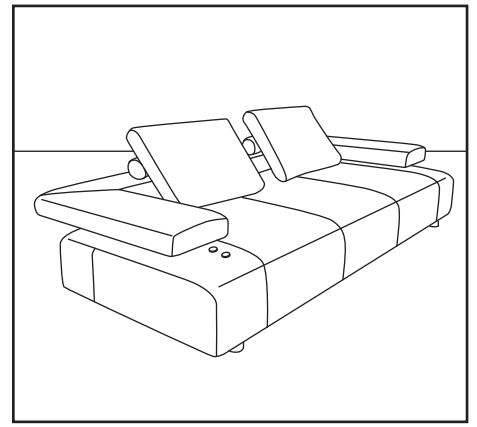
21.



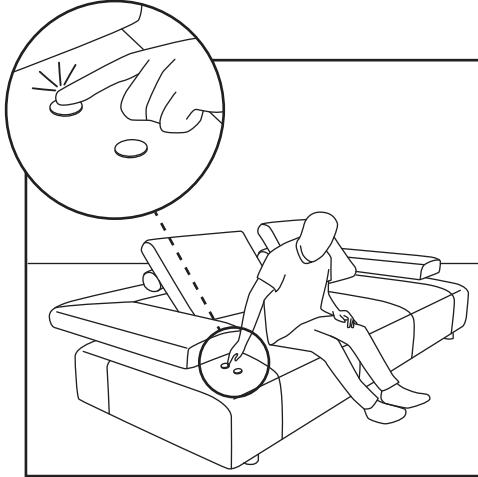
22.



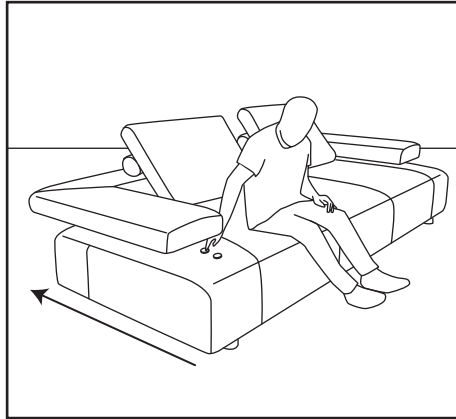
23.



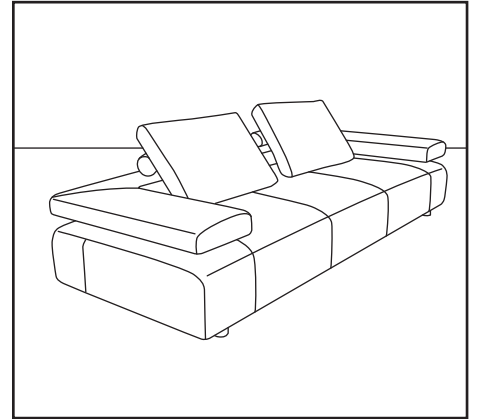
24.



25.



26.



27.