

# Reo II Sofa

# K I N G

## Assembly

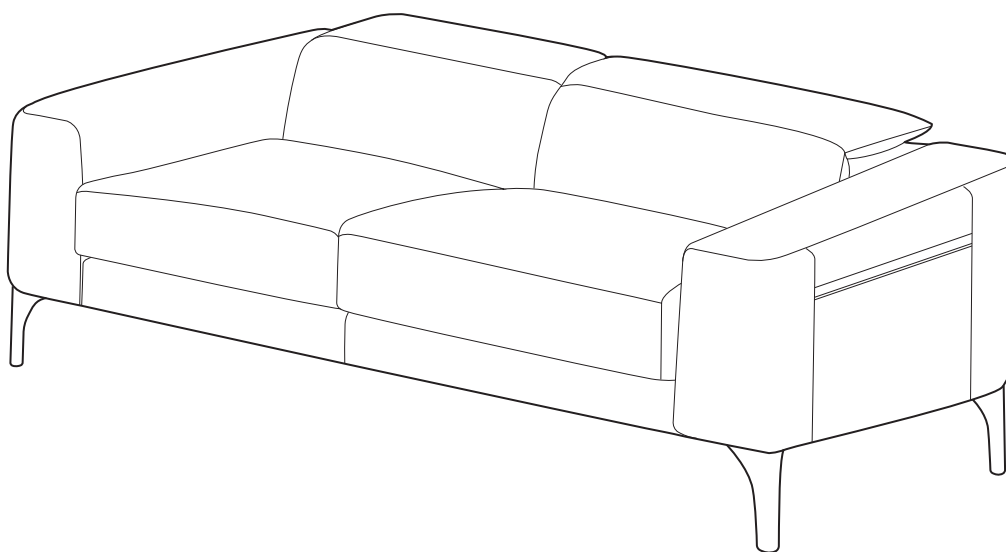
**Two People Are Required For Safe Assembly.**

### Opening Boxes:

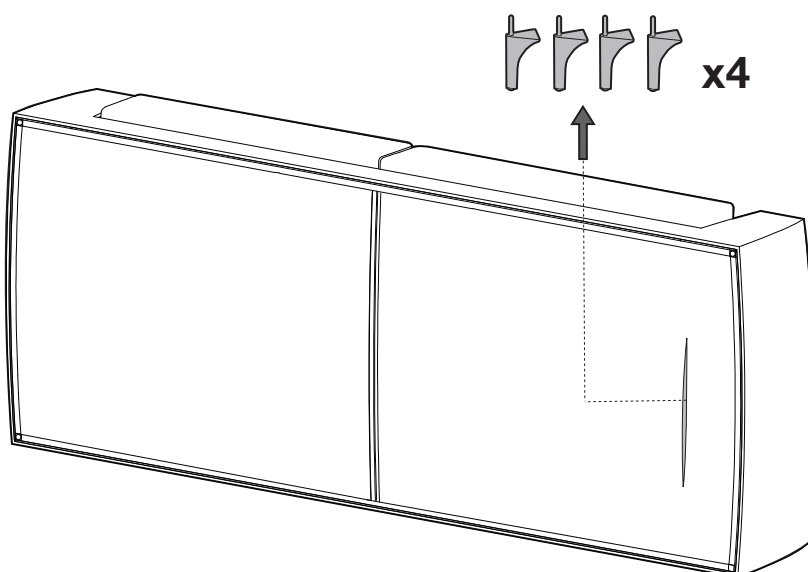
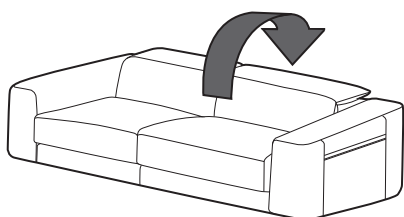
DO NOT use a knife to open the King boxes as you may damage your furniture.

Peel off the tape, then lift & separate the cardboard flaps to open.

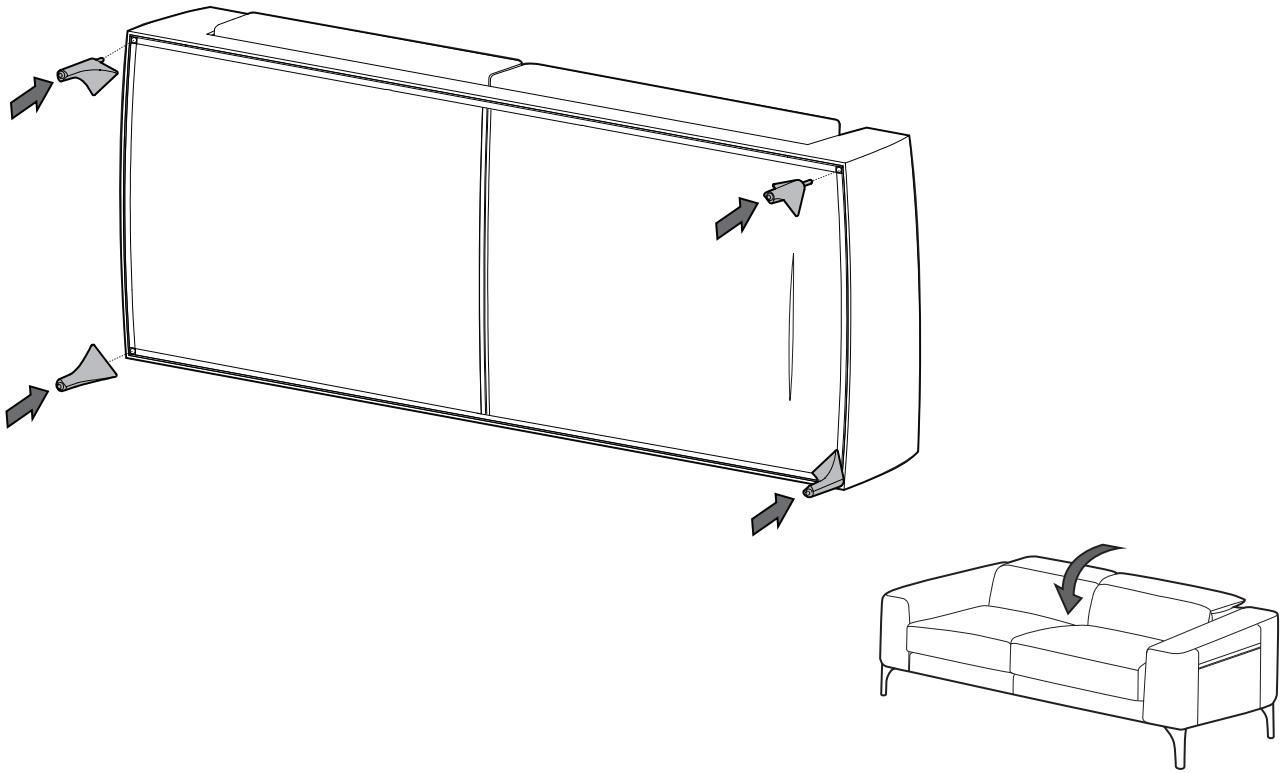
Assemble your furniture by following the instructions below.



1

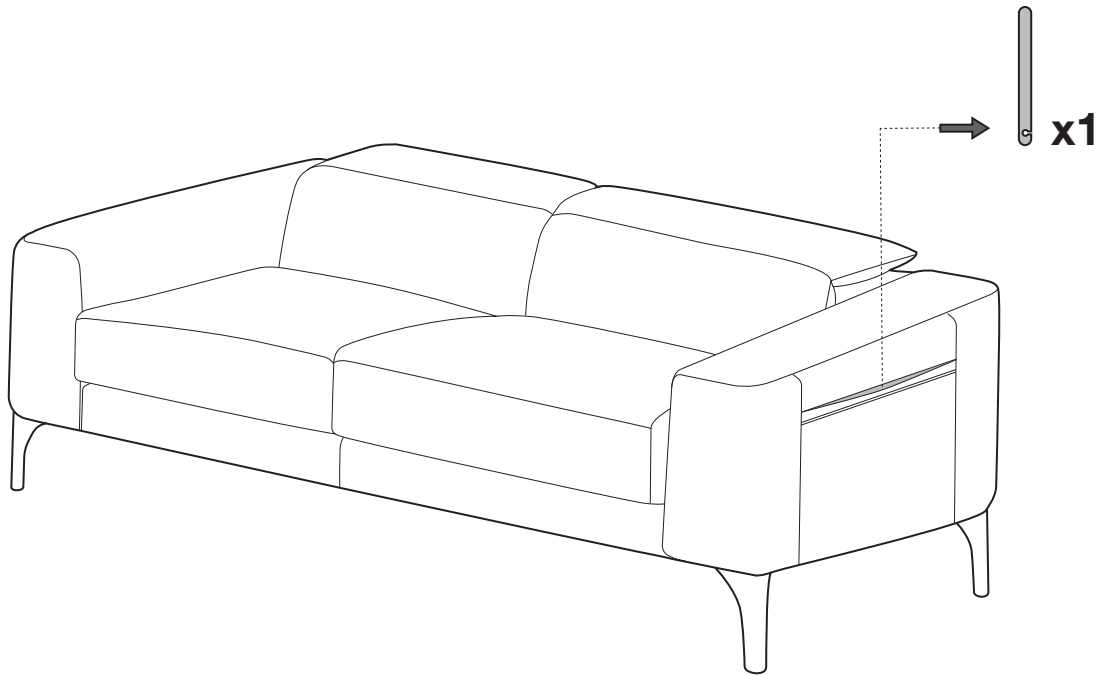


2

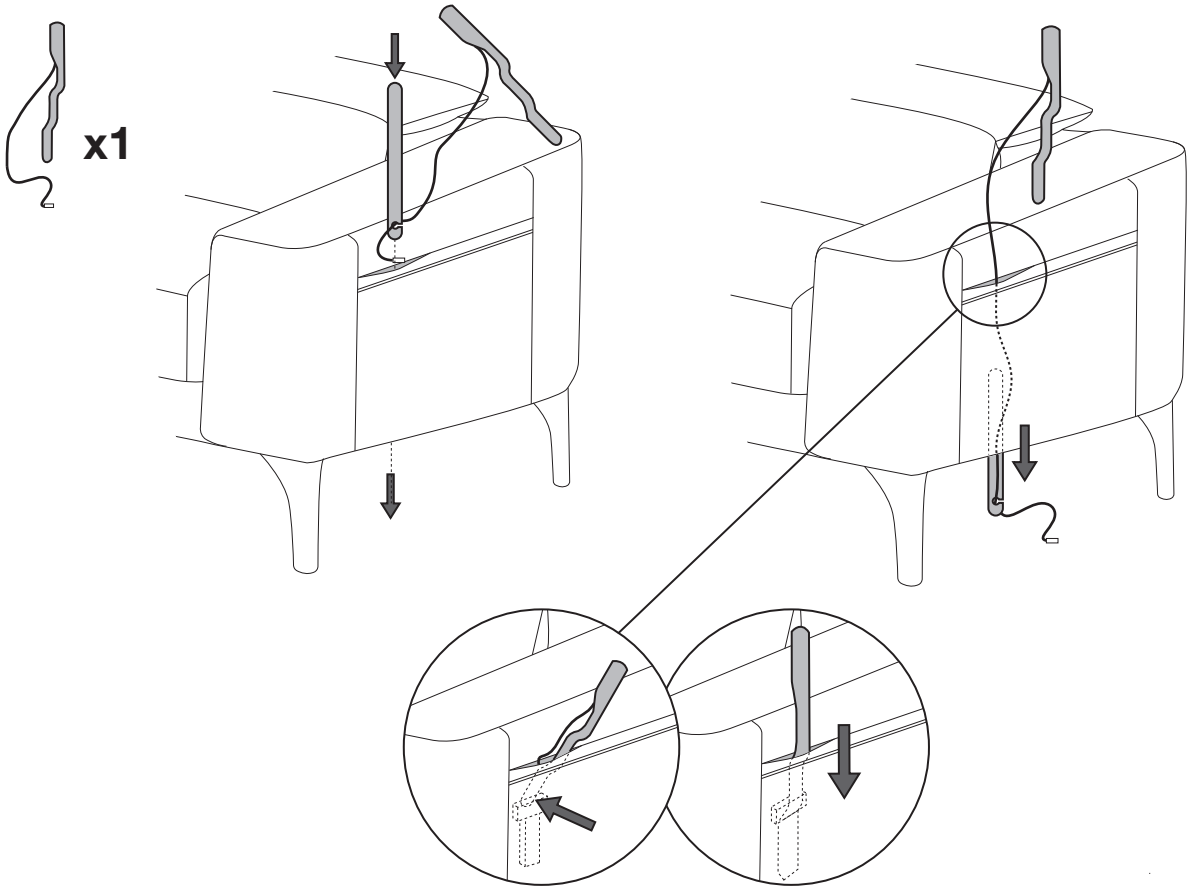


### Smart Accessories Assembly

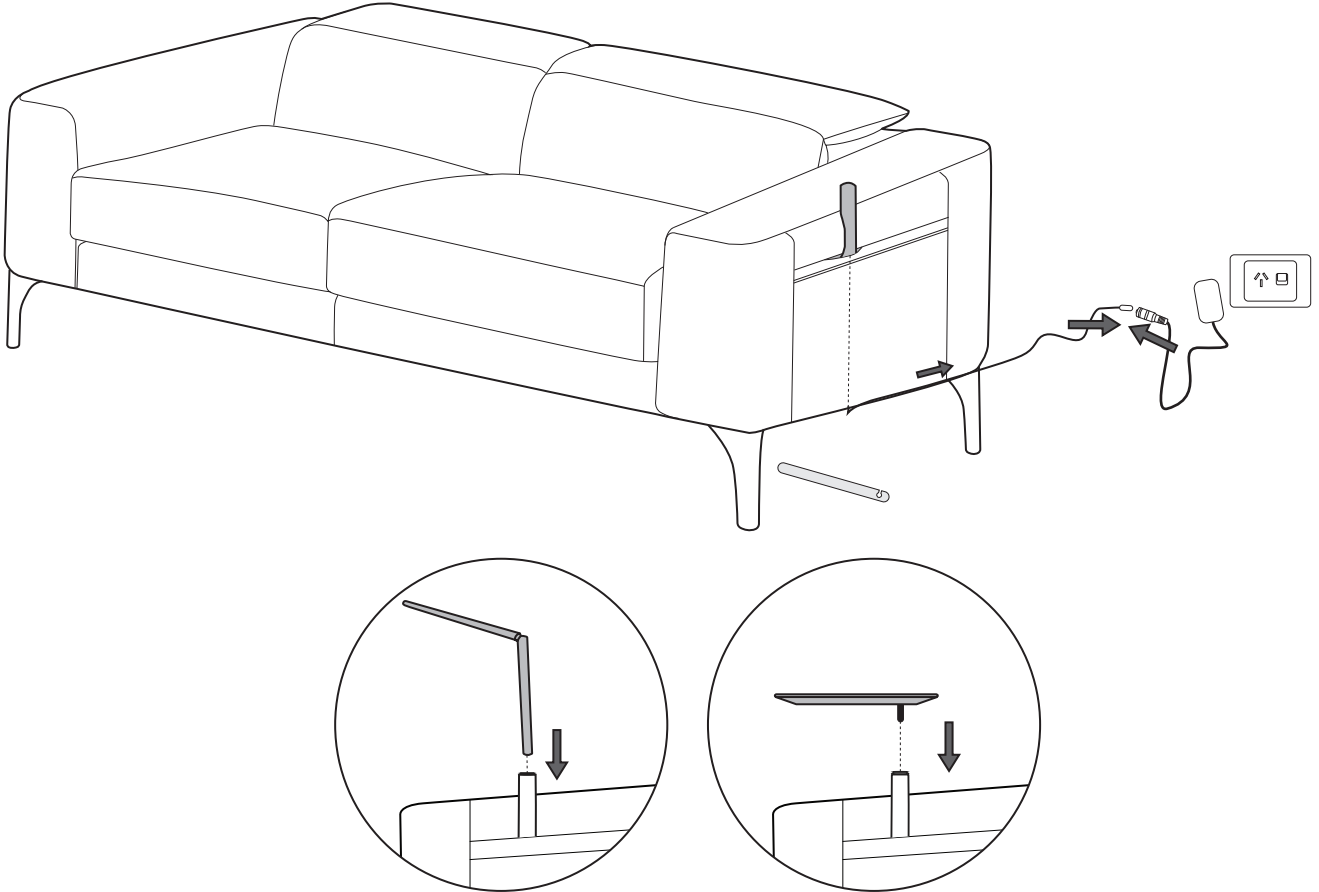
1



2

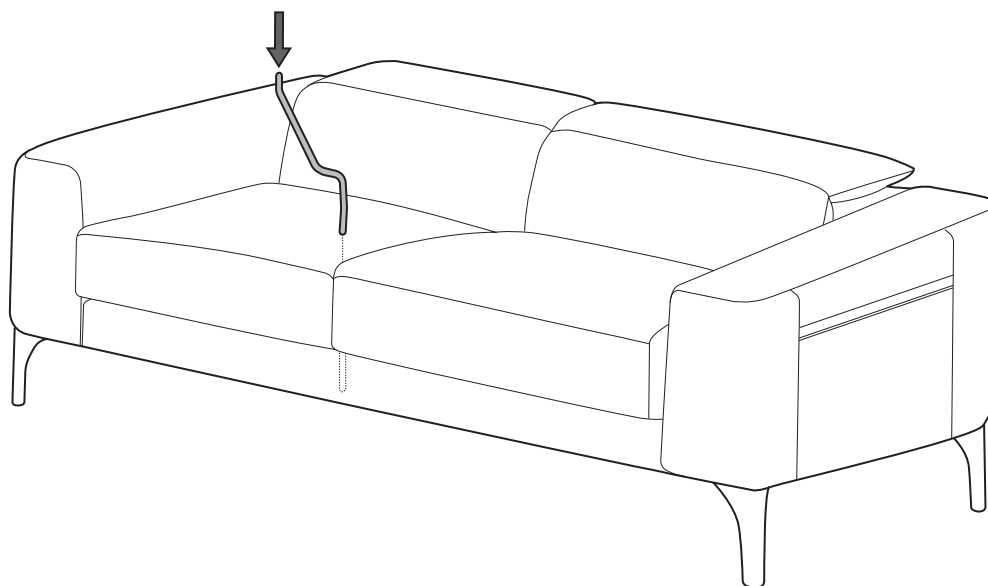


3



# Crescent Platform Table Assembly

1



2

