

Quay Fixed Dining Table

Assembly | User Guide



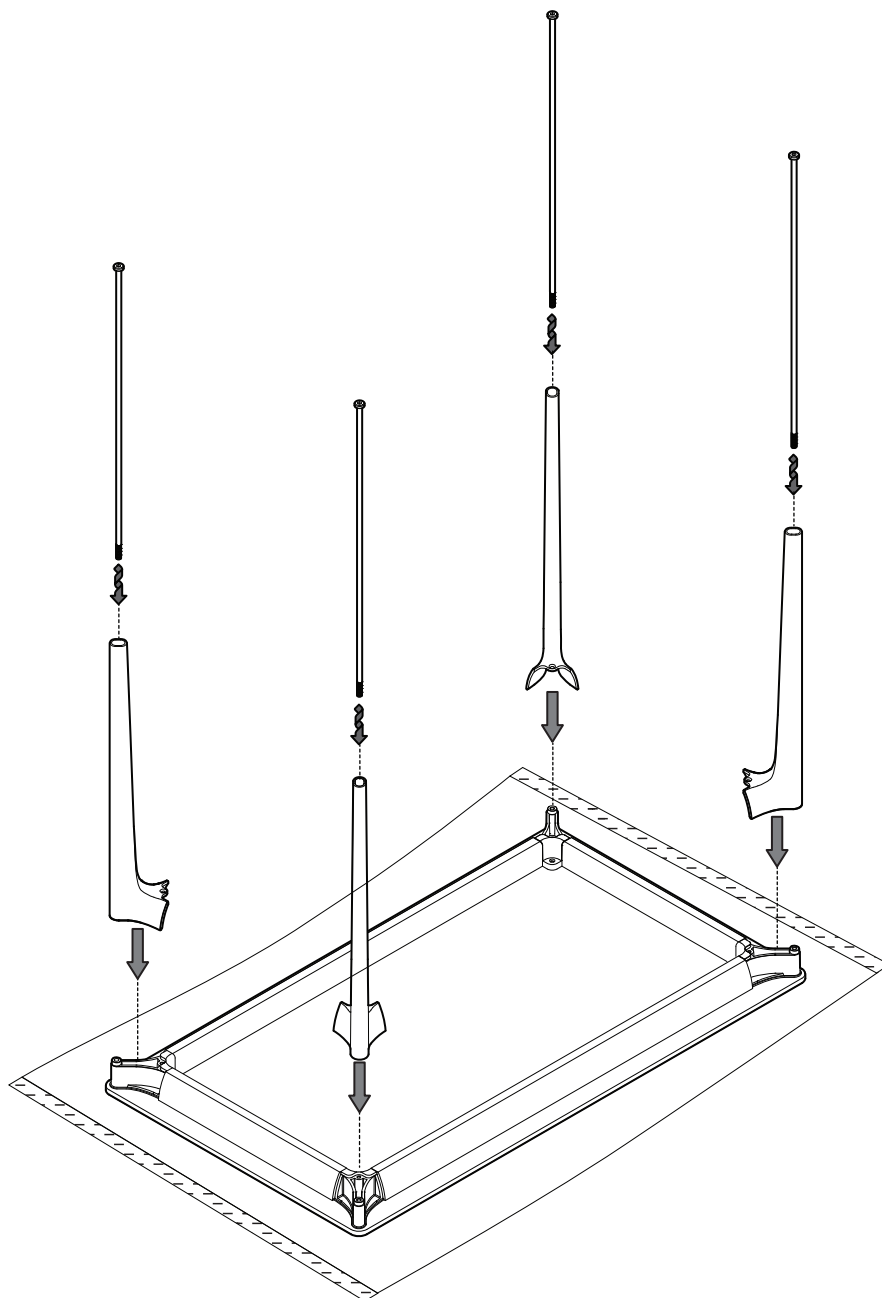
Product Care

Two people required for safe assembly

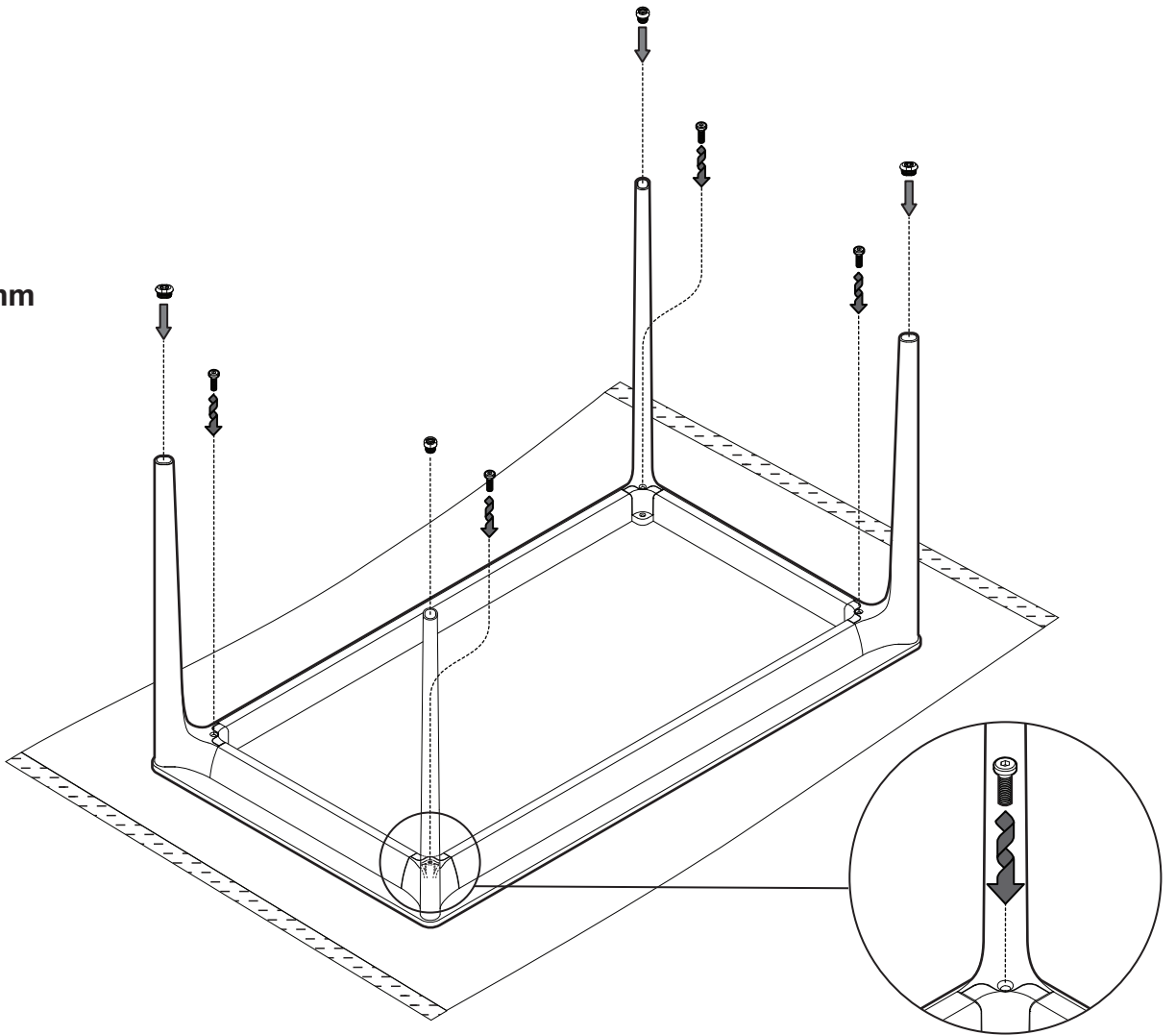
Opening Boxes: DO NOT use a knife to open the packaging as you may damage your furniture. Peel-off the tape, then lift and separate the cardboard flaps to open.

Please follow these Assembly | User Guide Instructions

1

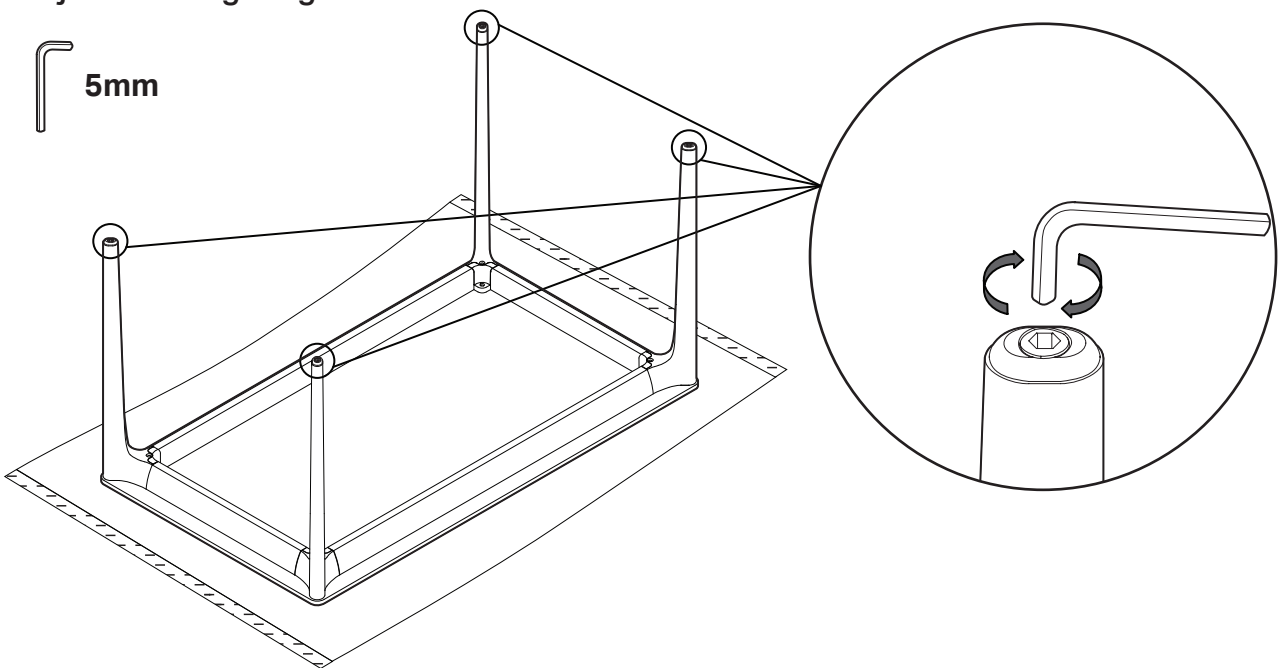


2



3

Adjustable Leg Height



4

