

Kato II Sofa

Assembly | User Guide

Two people are required for safe assembly

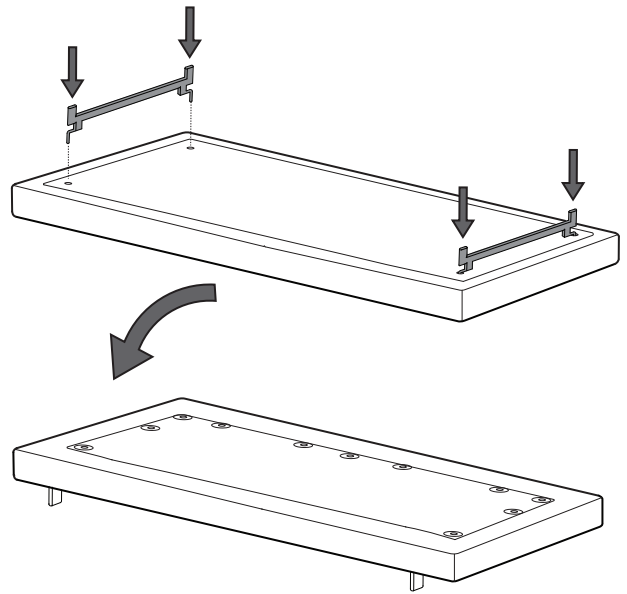
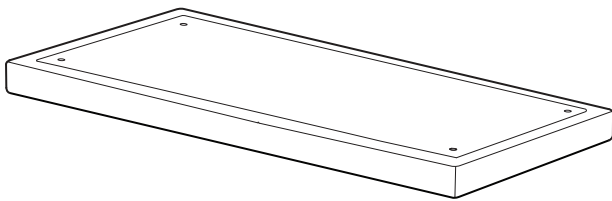
Opening Boxes:

DO NOT use a knife to open the packaging as you may damage your furniture.
Peel off the tape, then lift & separate the cardboard flaps to open.

Assemble your furniture by following the instructions below.

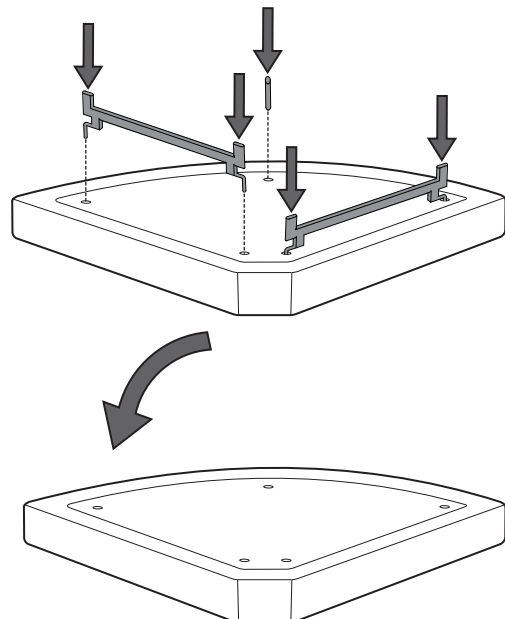
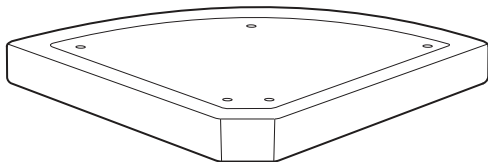
1

2 STR & Chaise Leg Assembly

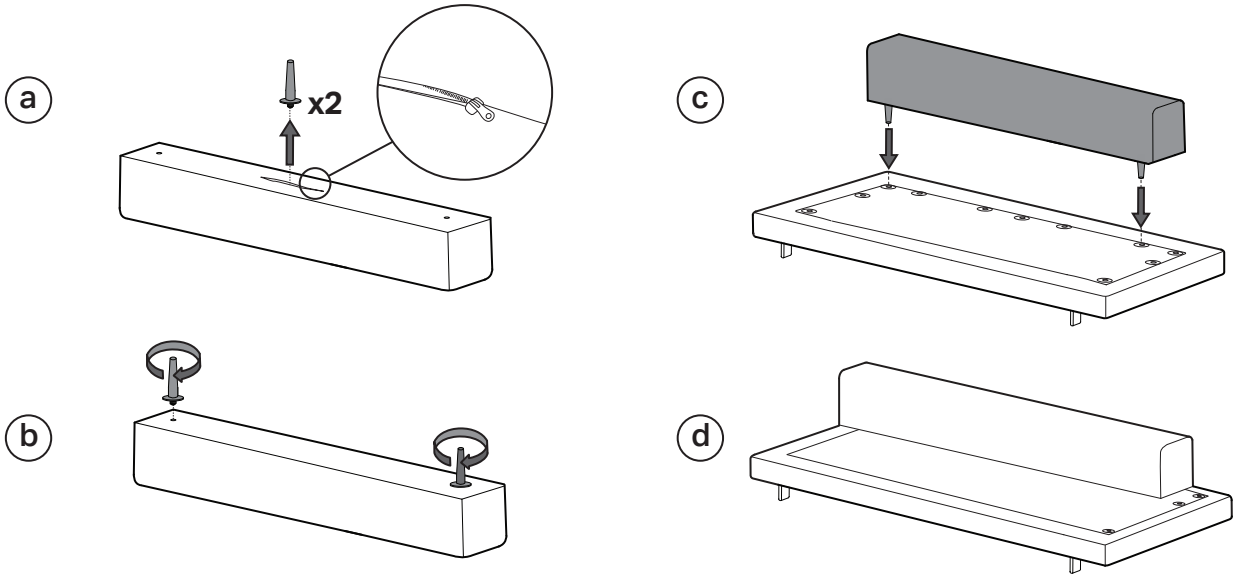


2

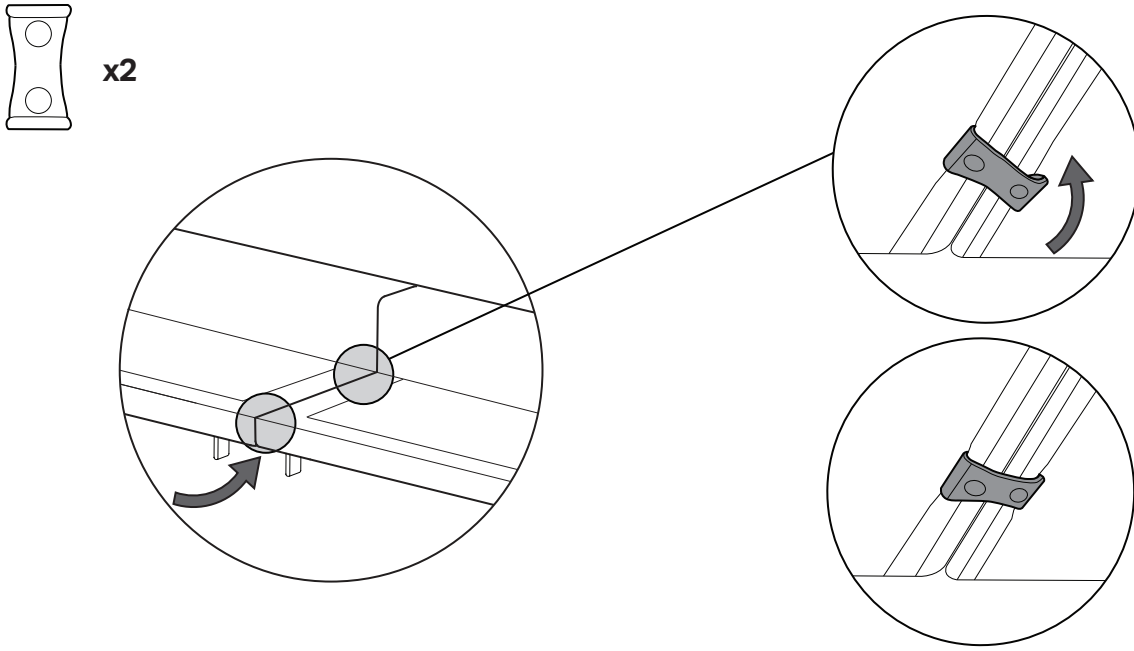
Curved Corner Leg Assembly



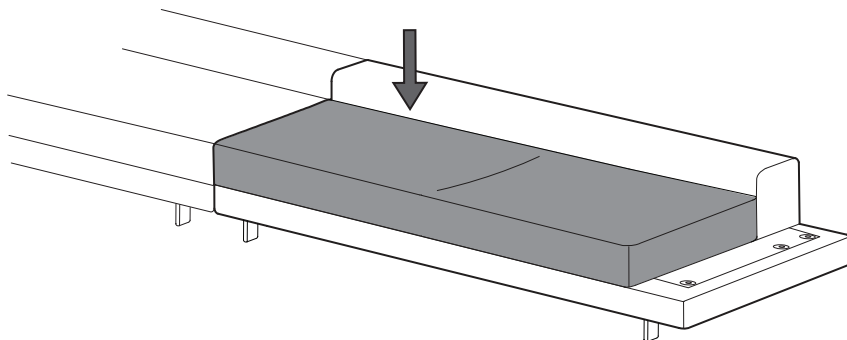
3



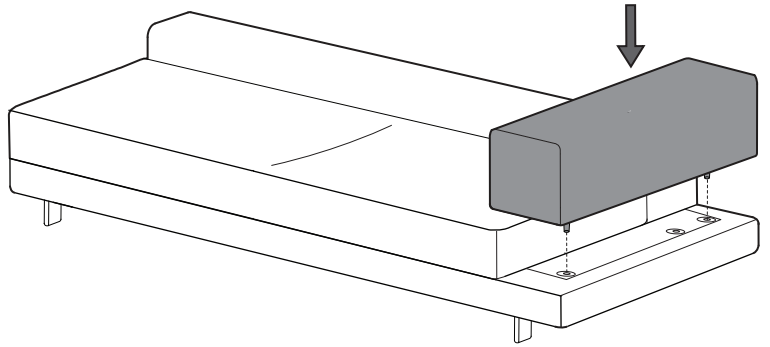
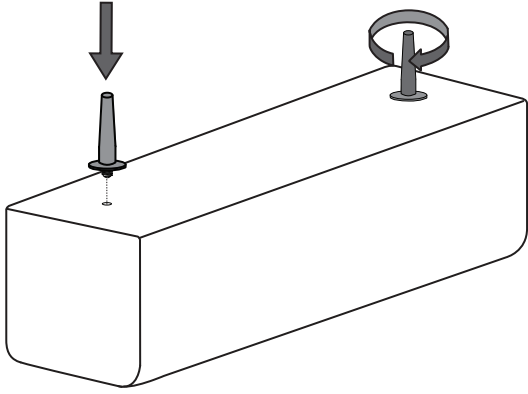
4



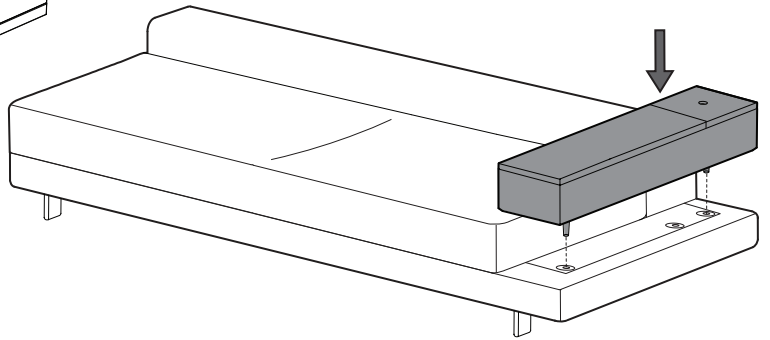
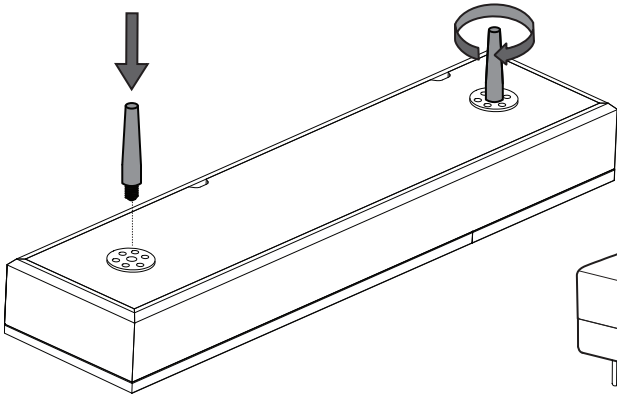
5



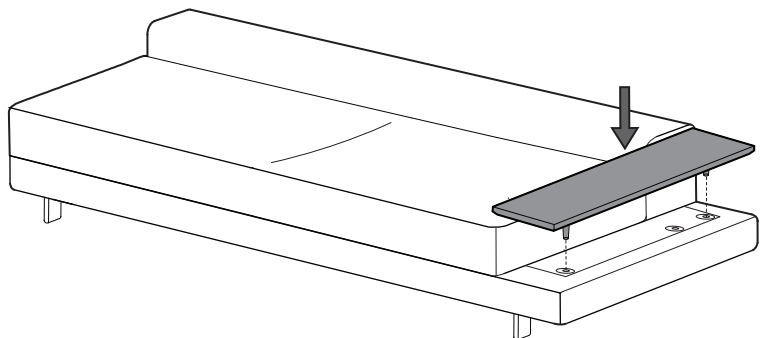
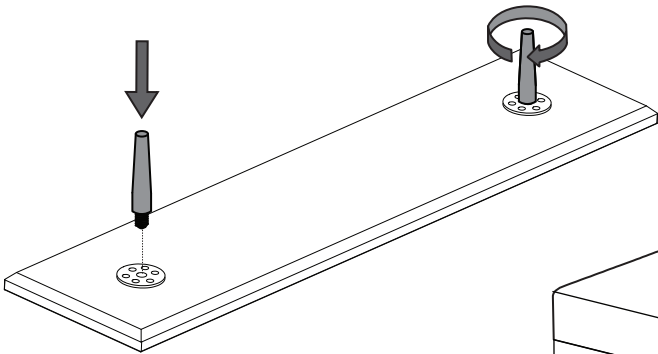
6



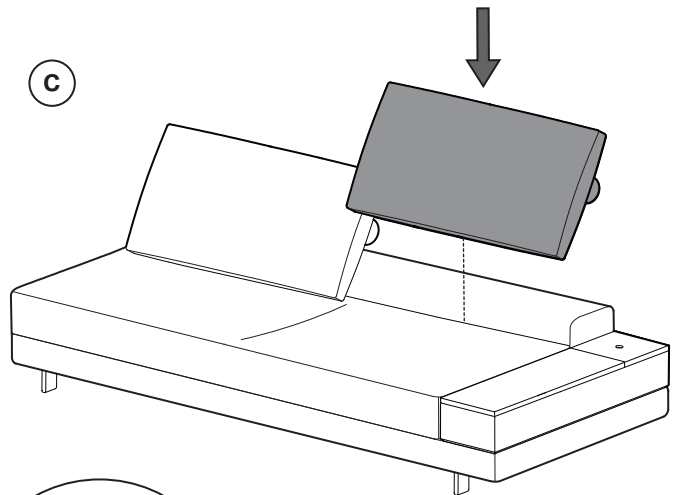
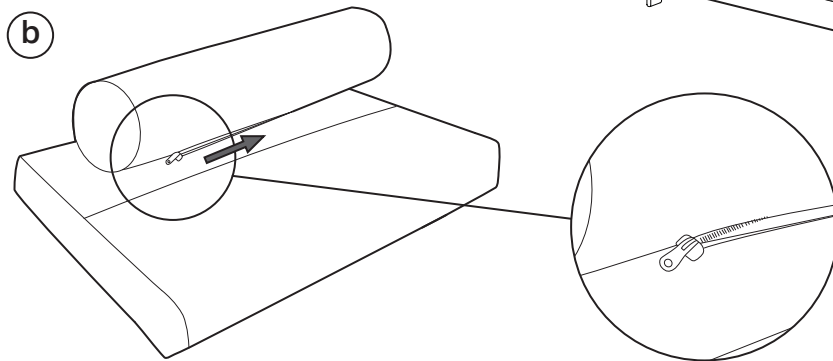
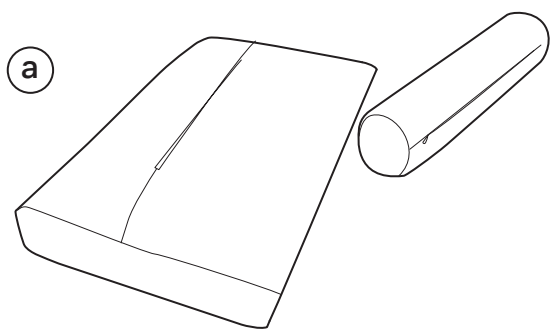
OR



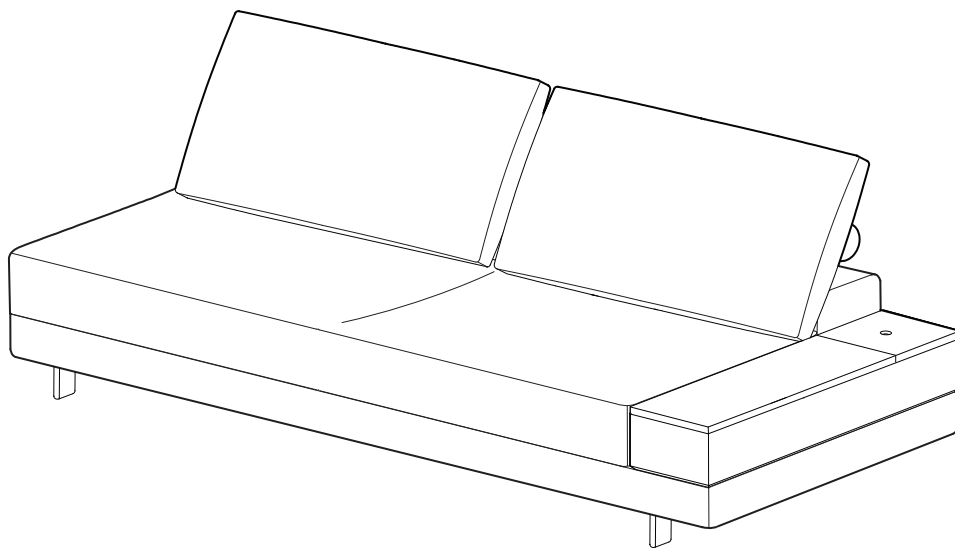
OR



7



8

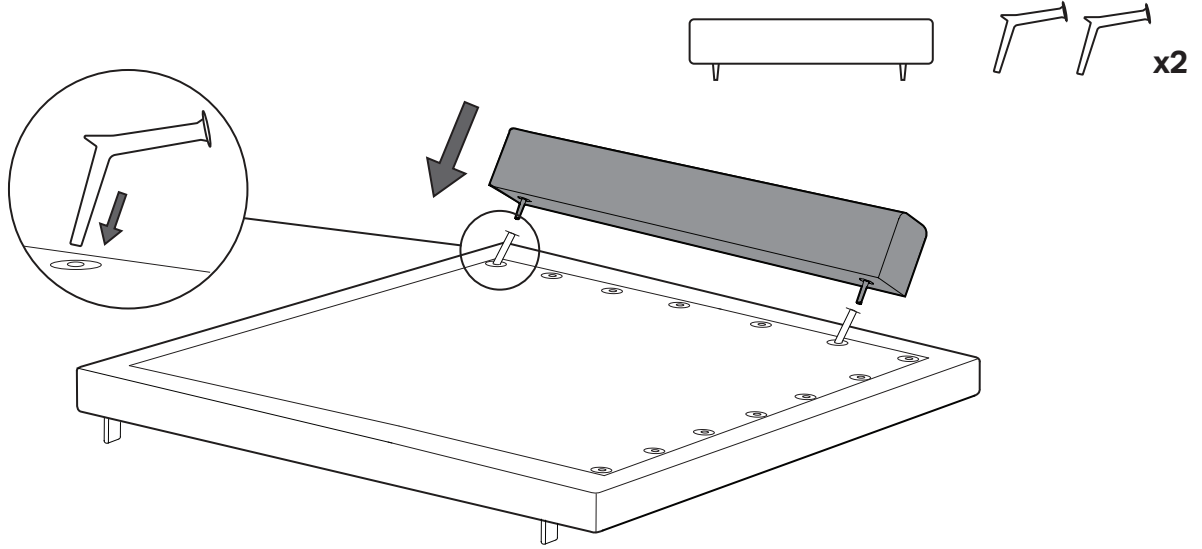


Kato II Sofa Alternate Features

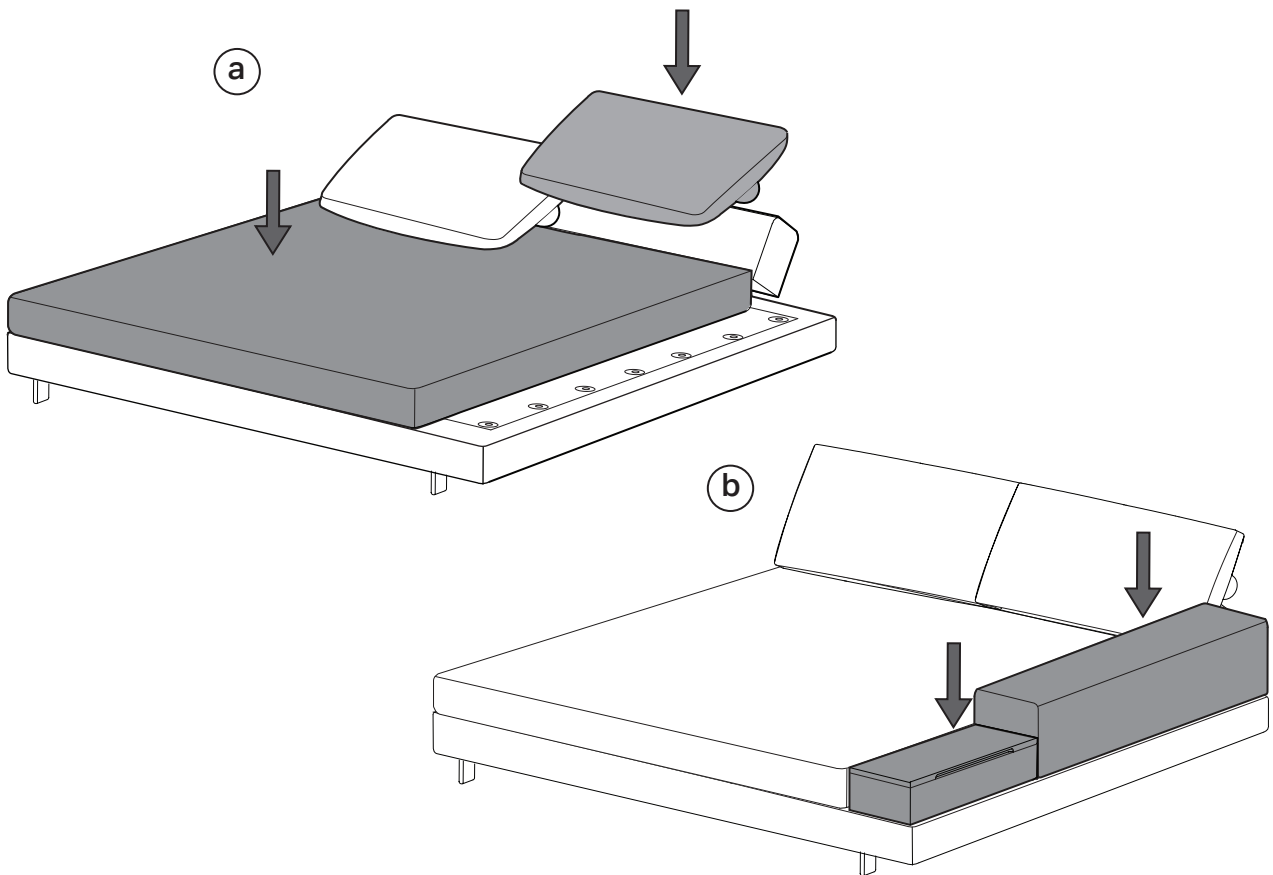
K I N G

Back Rest: Bed Position

1



2

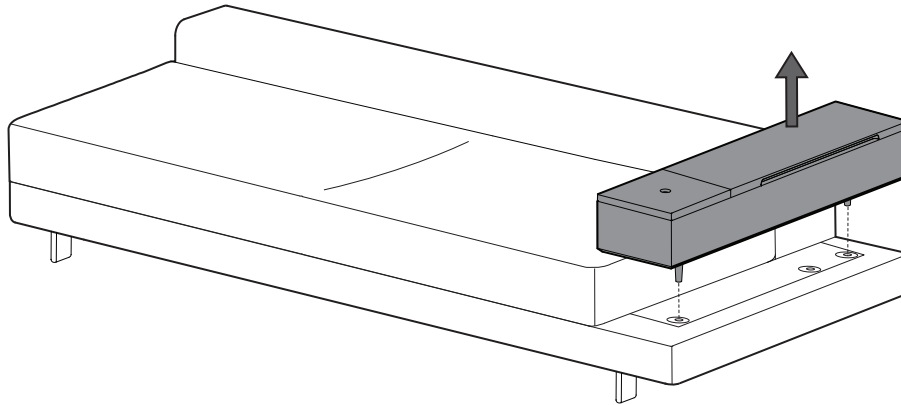


Kato II Sofa Alternate Features

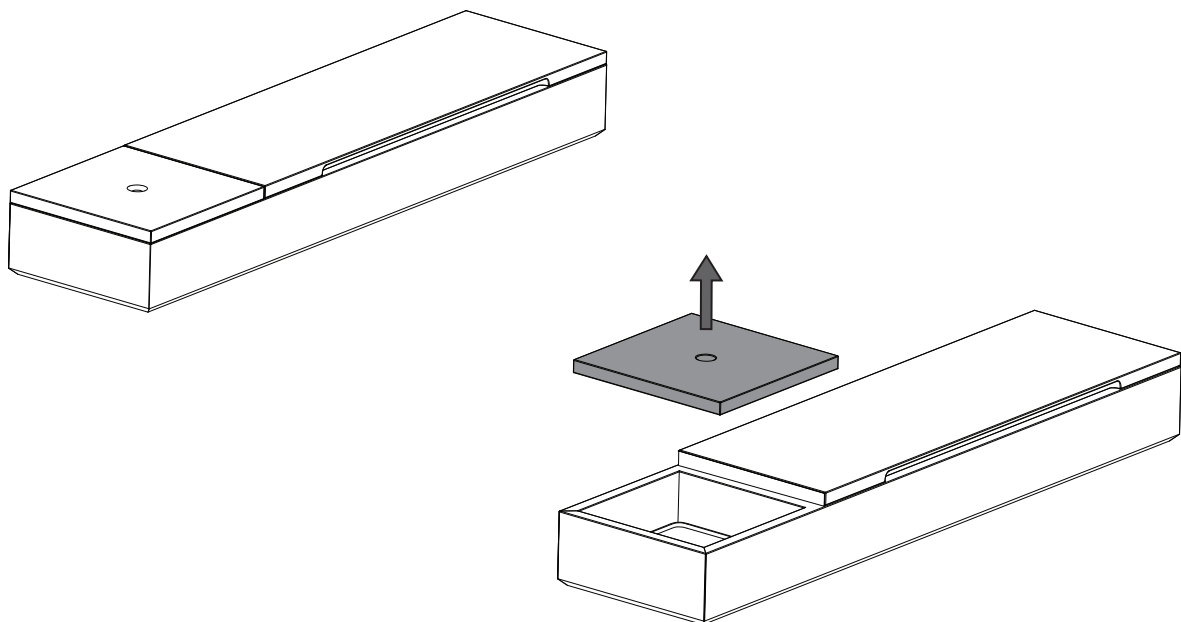
K I N G

Lume Light Assembly

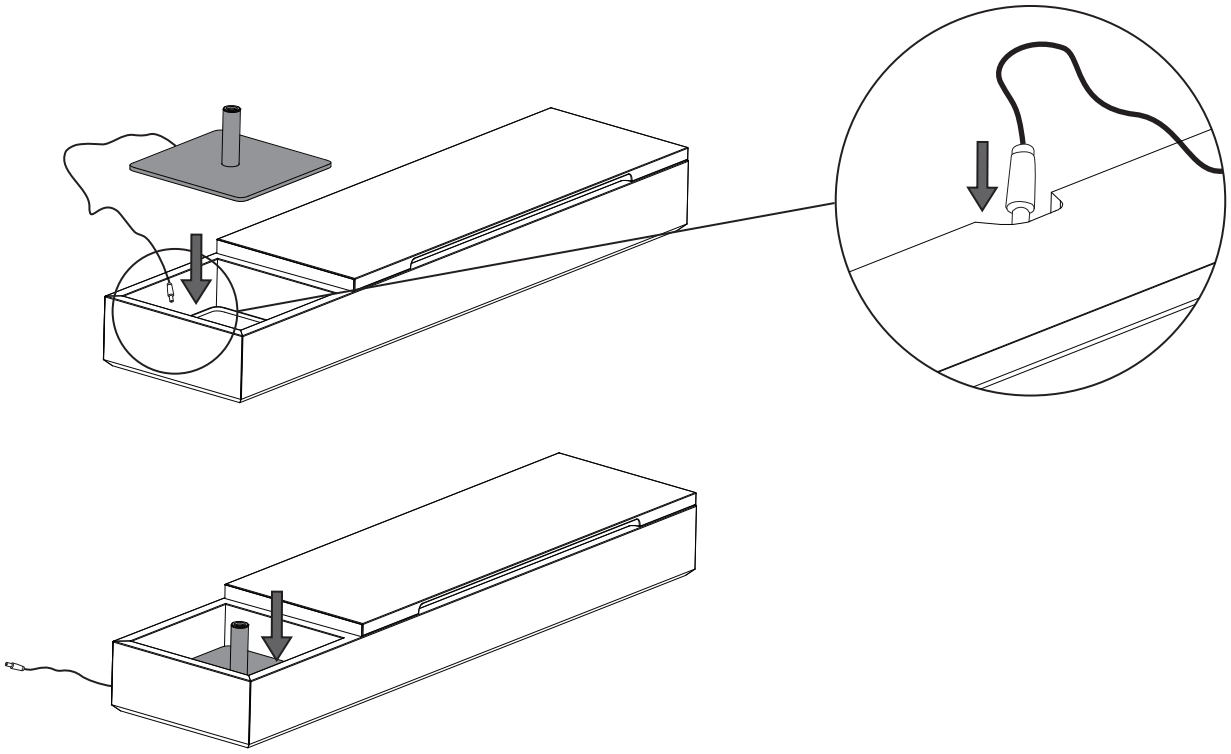
1



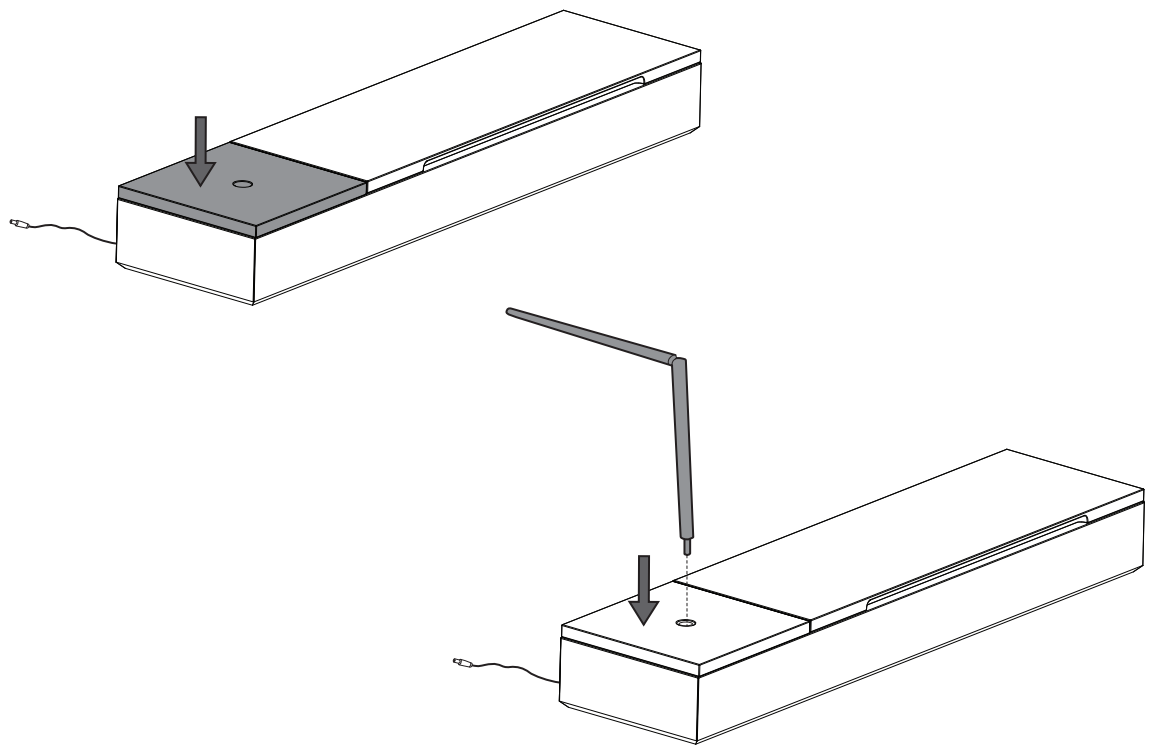
2



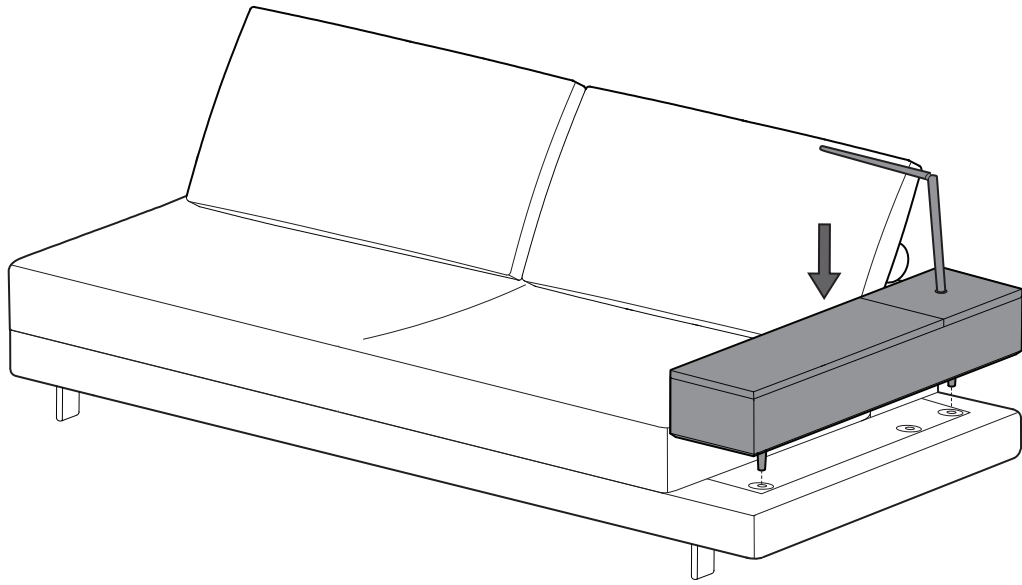
3



4



5



6

