

Eto

STD Desk; Dining-Occ Table Assembly Instructions

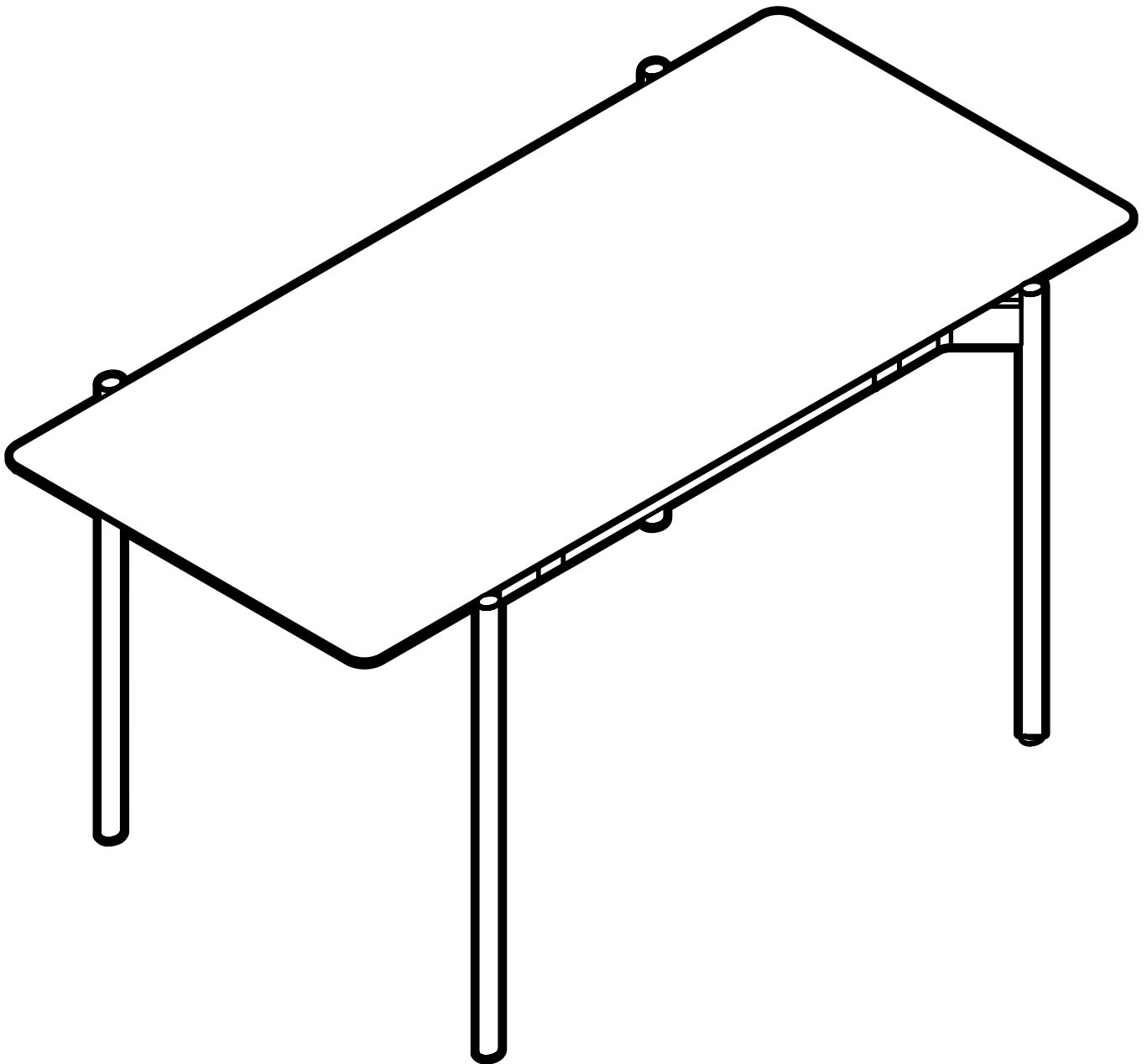
KING[®]
L I V I N G

Two people are required for safe assembly.

Opening Boxes

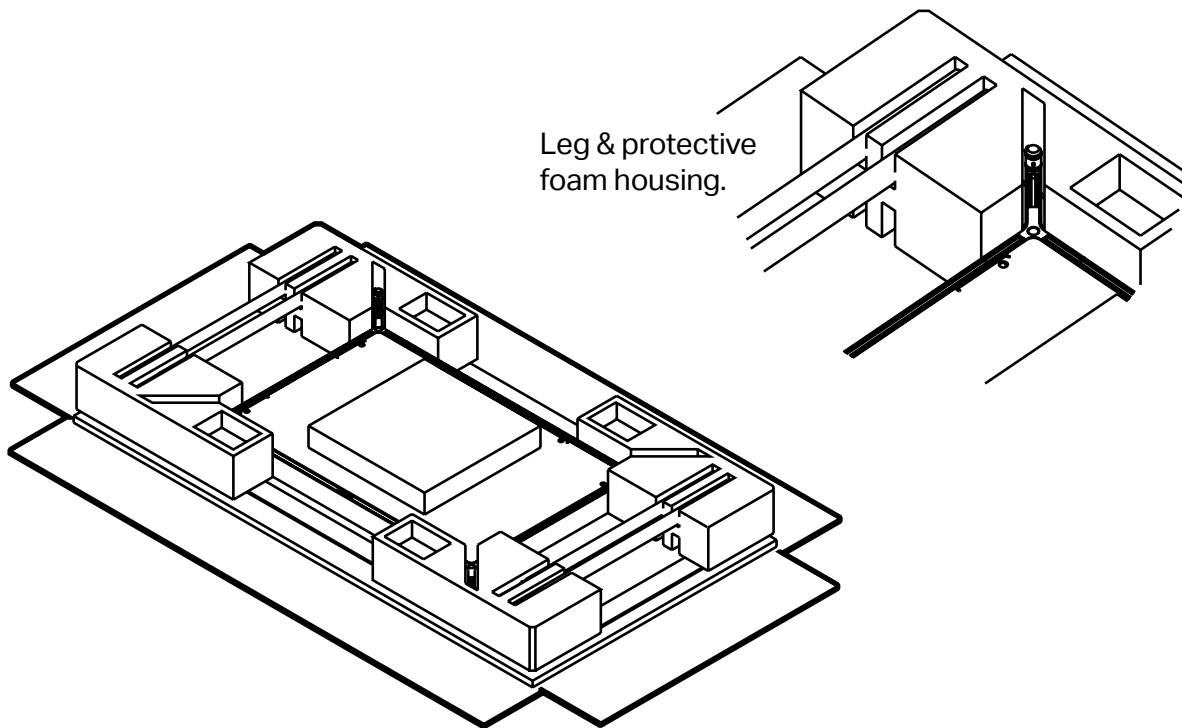
DO NOT use a knife to open the King Living boxes as you may damage your furniture. Peel off the tape, then lift & separate the cardboard flaps to open.

Assemble your furniture by following the steps below.

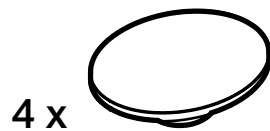
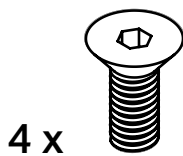


Step 1

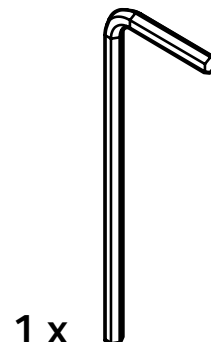
Ensure box is in correct orientation.
Flatten sides of box to expose the
desk top and legs in protective
foam housing.



Box contents

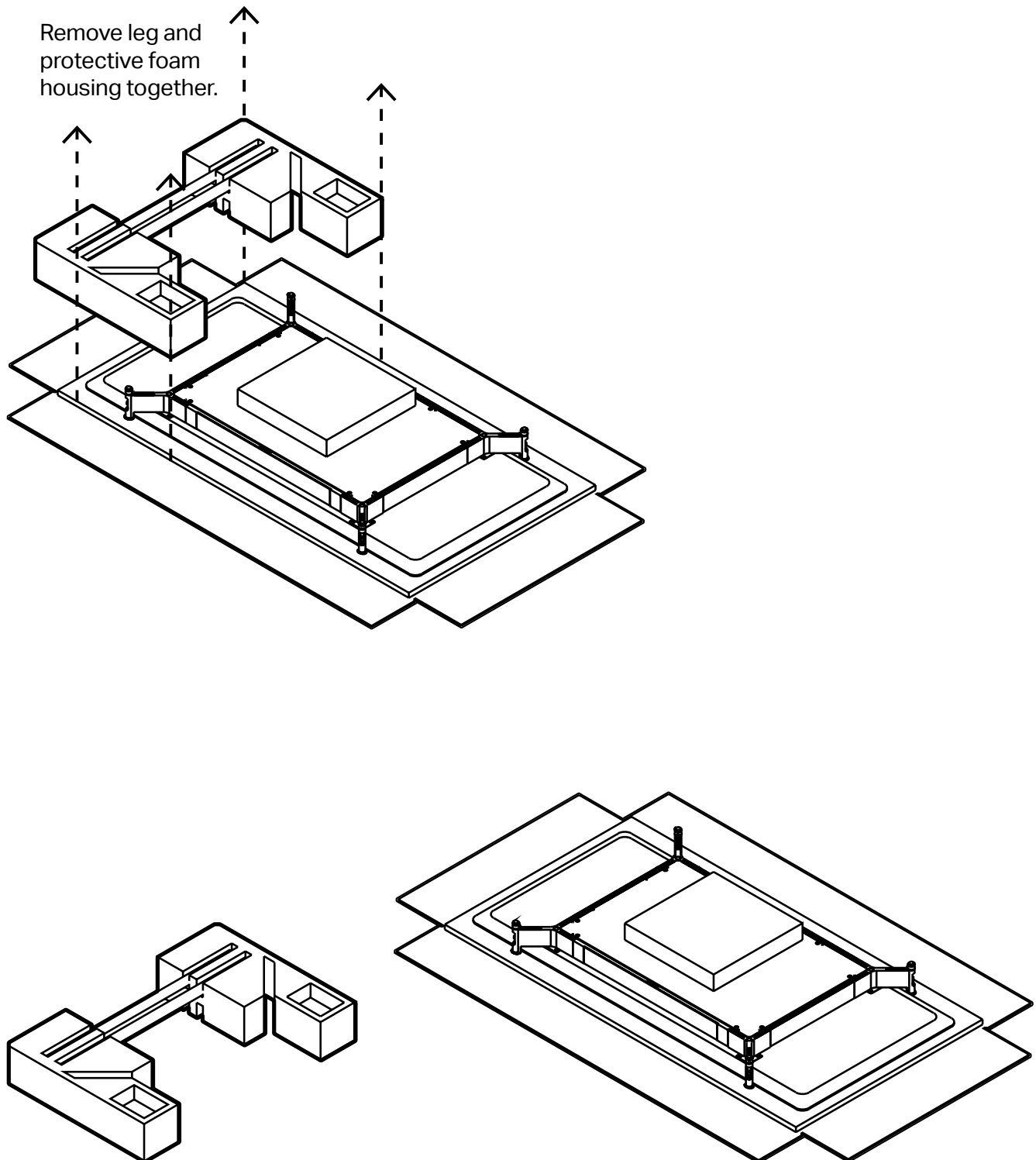


4 x
2 x Left
2 x Right



Step 2

Remove leg and protective foam housing in one unit.



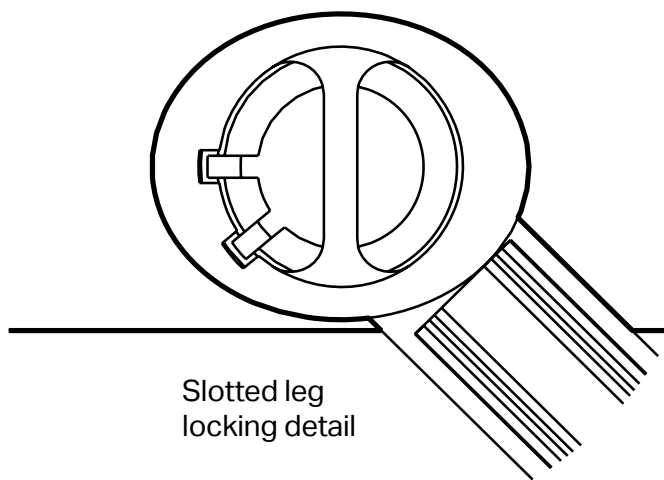
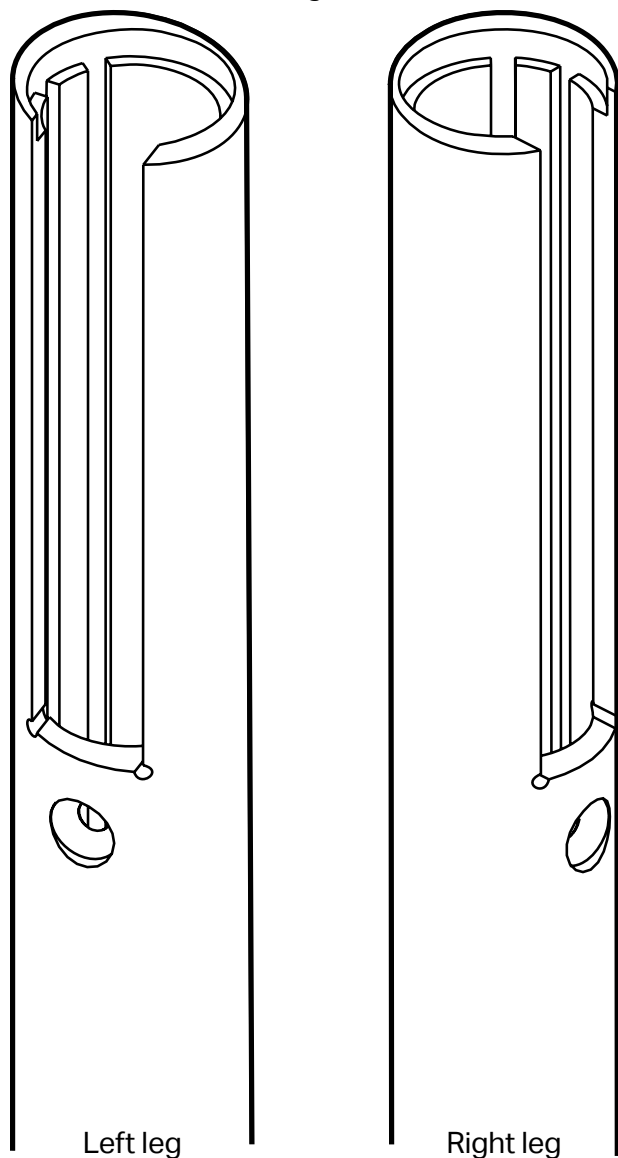
Step 3

Gather the legs.

NOTE

The legs contain a special slotted locking system that are left and right specific as seen below.

Slotted leg locking detail



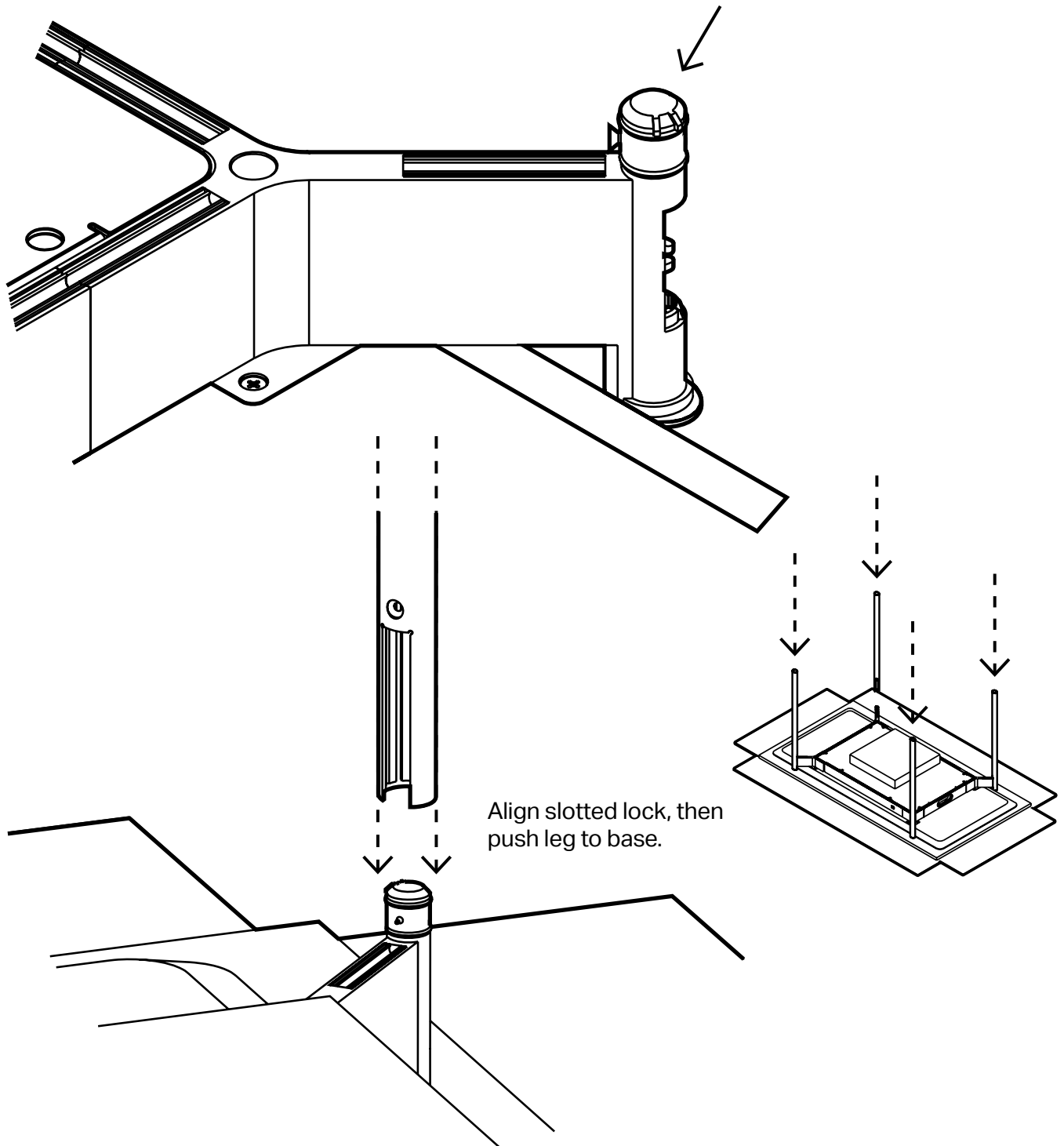
Step 4

Align left and right legs to the correct key locks and push legs to the base.

NOTE

The rubber O Rings will provide a firm fit. Do not remove.

Ensure O Rings remain attached. The fit will be firm and snug.



Step 5

Screw in to secure the legs.

