

Issho Dining Table Circle 1590 – Plinth Base Assembly Instructions

KING[®]
L I V I N G

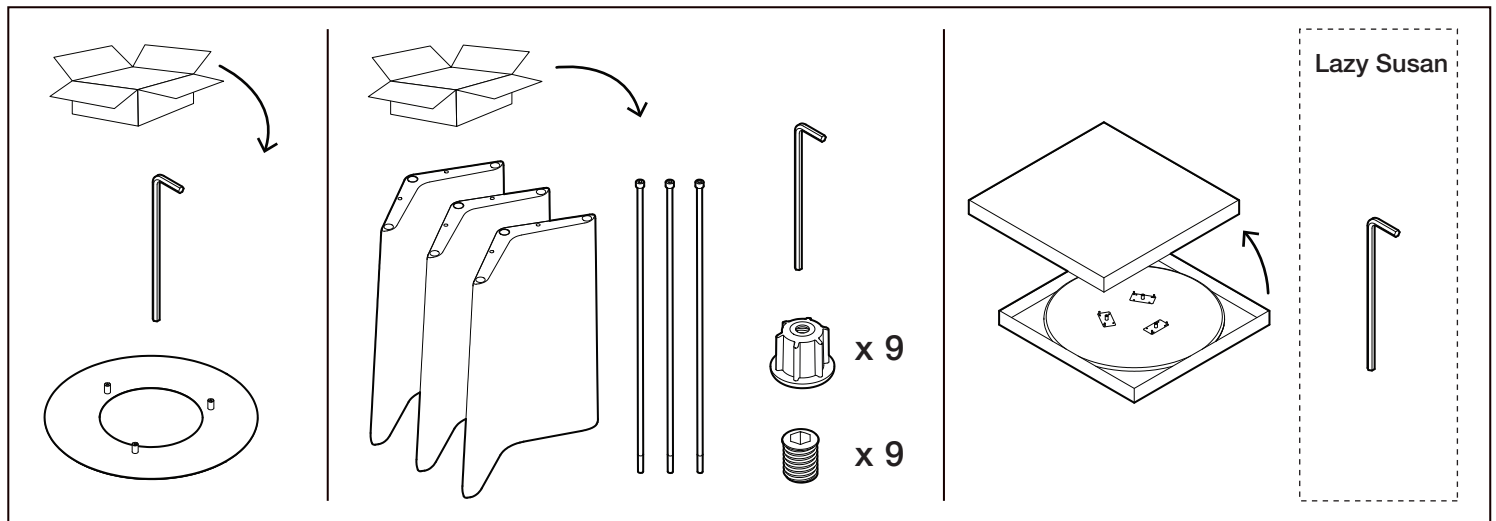
Two people are required for safe assembly.

Opening Boxes

DO NOT use a knife to open the King Living boxes as you may damage your furniture.

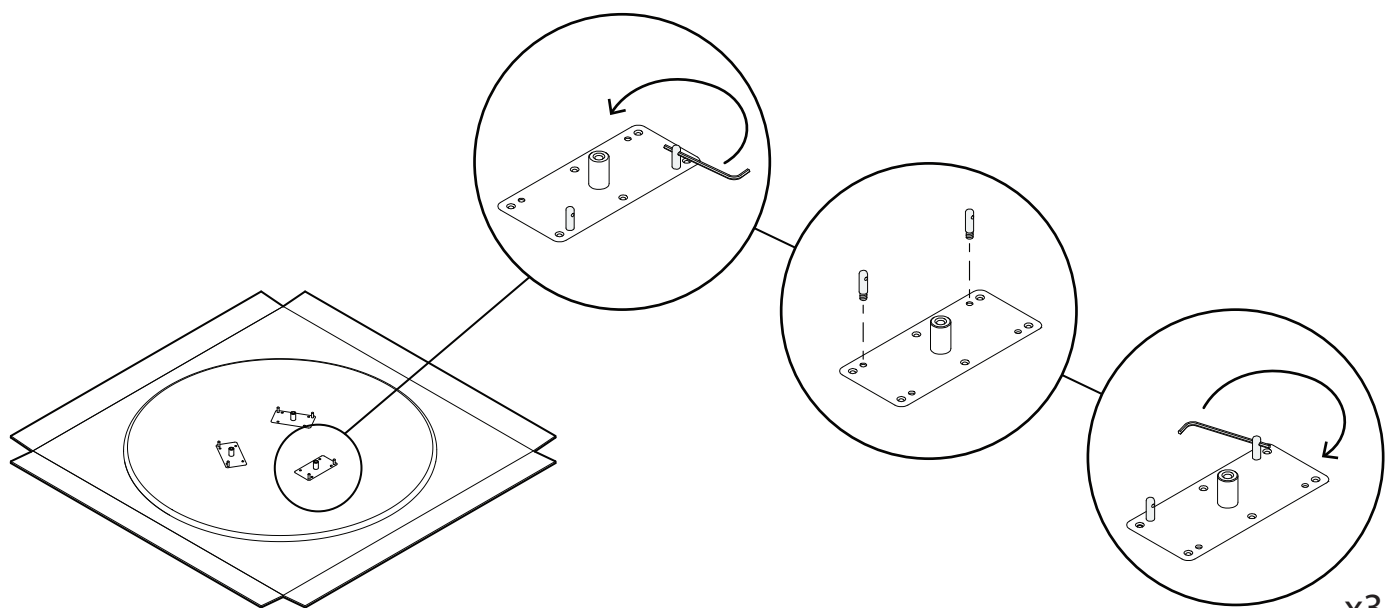
Peel off the tape, then lift & separate the cardboard flaps to open.

Assemble your furniture by following the steps below.

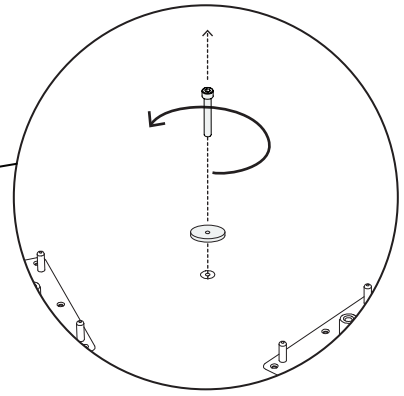
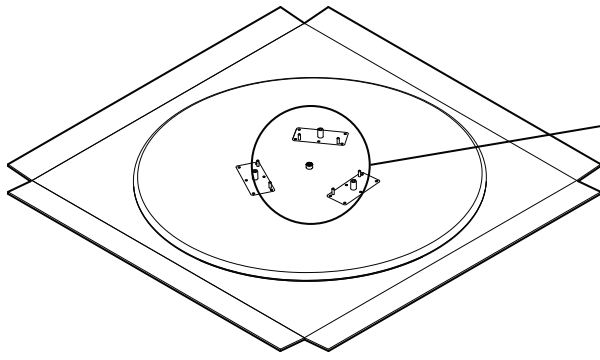


1

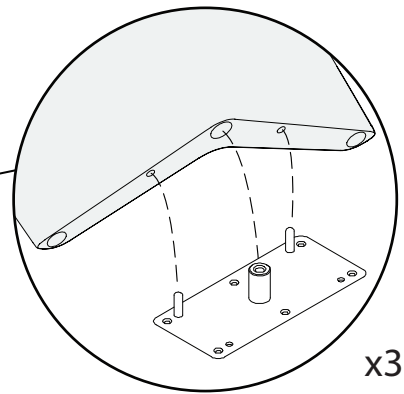
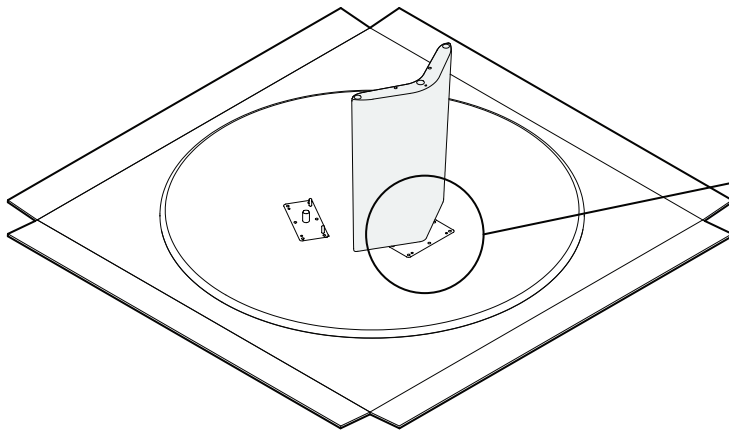
Switching Fastener Plate Position



Lazy Susan
Remove Insert

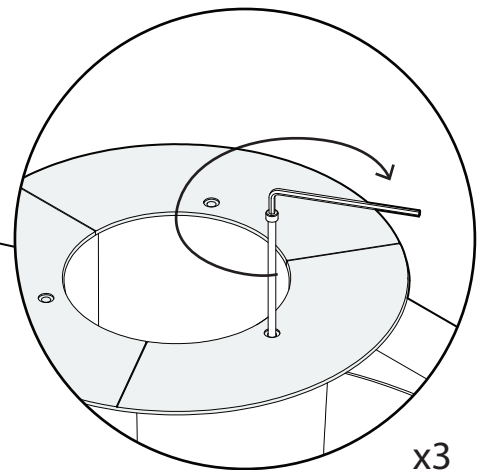
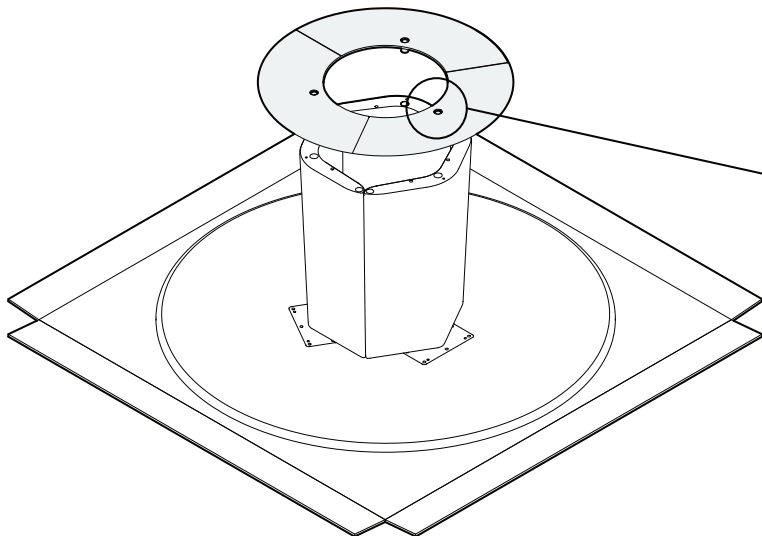


2

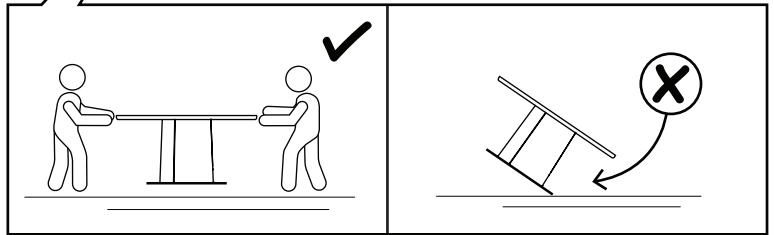
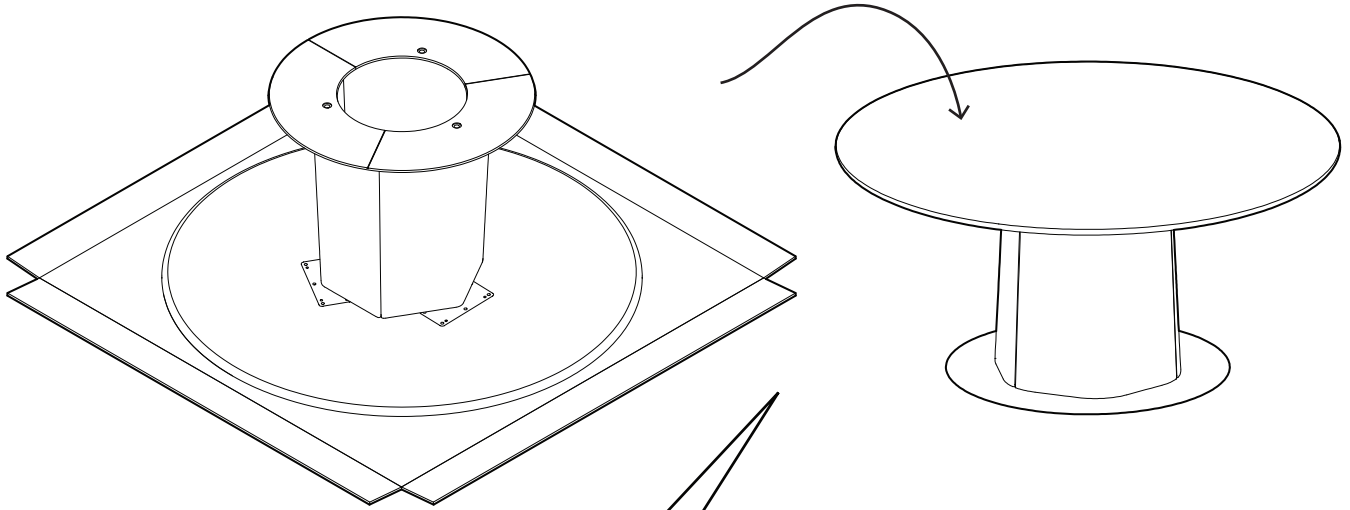


x3

3



x3



Lazy Susan
Place Insert

